

PROCove3

3" High-Performance Linear LED Cove Mount



Integral Driver

PROCove3

PRO Series

Warnings

- Risk of fire and electrical shock
- Turn off power at breaker
- Installation requires knowledge of electrical systems and should be installed by a qualified electrician. If not qualified, **DO NOT ATTEMPT INSTALLATION.**

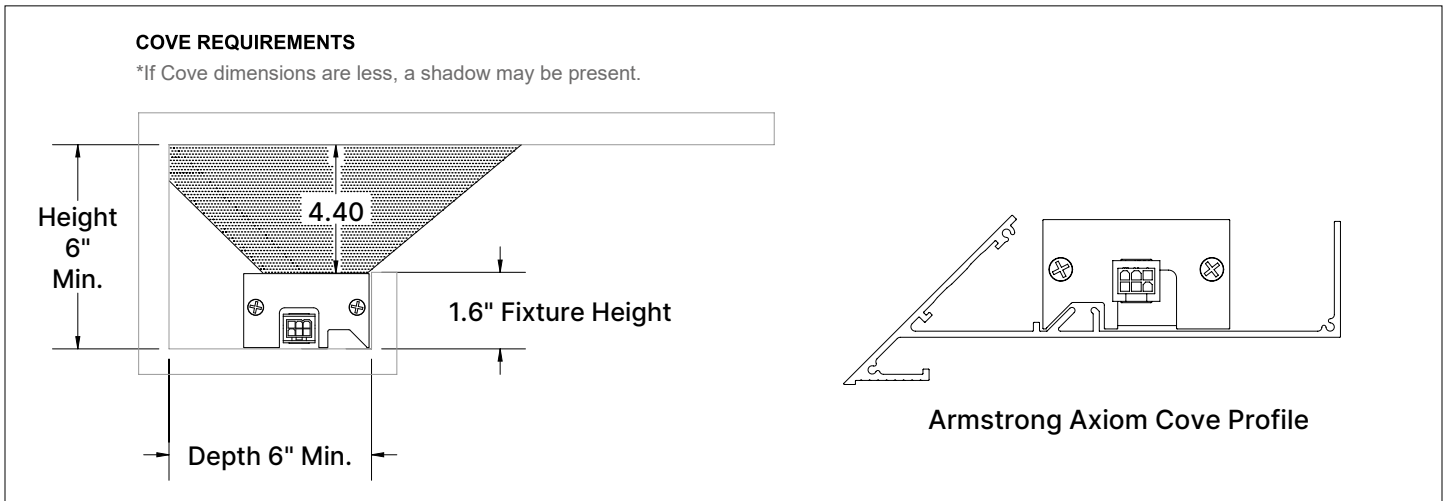
Care Instructions

- Wipe with a soft cloth only
- Always avoid using harsh chemicals and/or cleaners

STEP 1 — Placement

Position the luminaire within the cove and bring it as close as possible to the front side of the cove. PROCove3 is designed to be used in both standard coves as well as register within in the Armstrong Axiom style cove.

Please note that the surface of the cove must be flat for the fixture to sit flat.



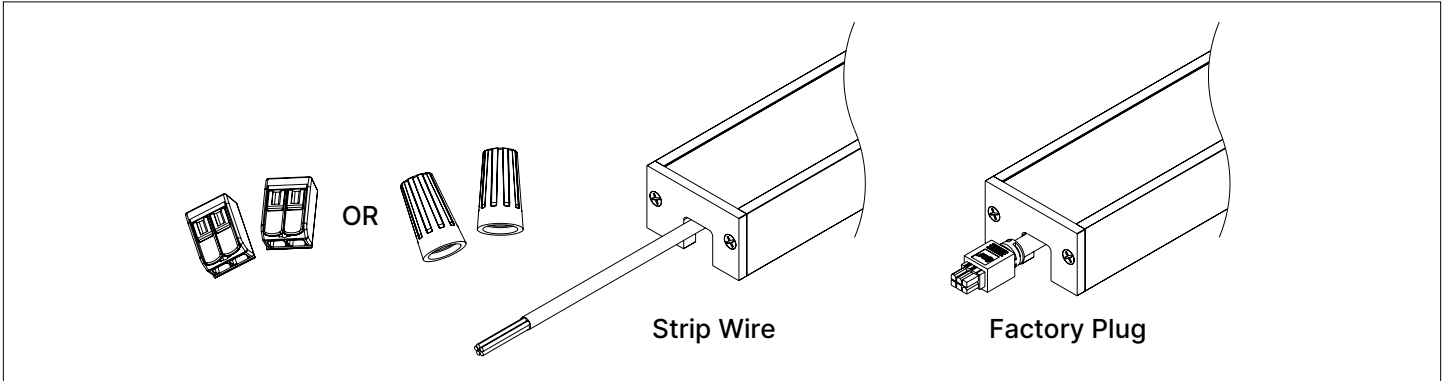
Designed & Built in
BOSTON

Declare



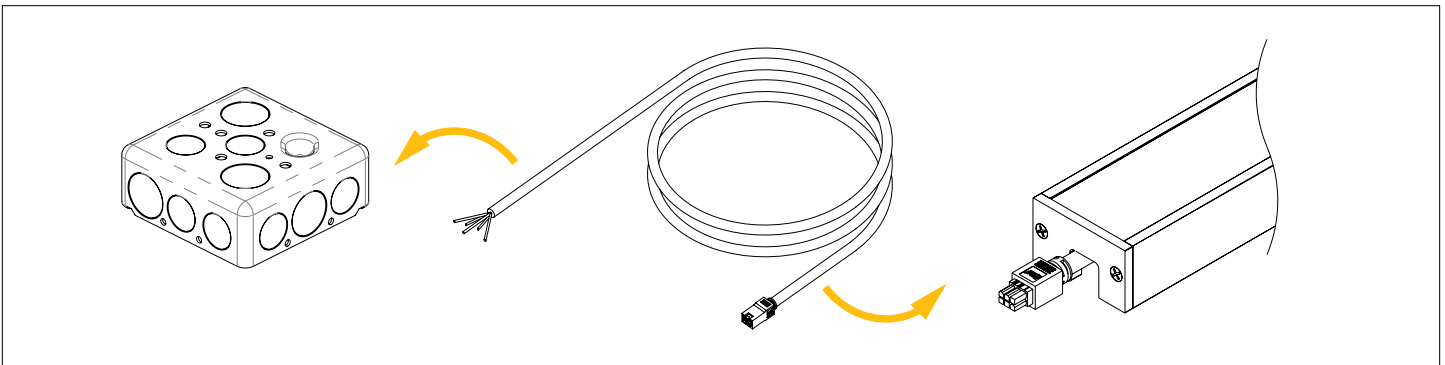
STEP 2 — Fixture Connection Options

The fixture can be specified as Factory Plug (FP) or Stripped Wire (SW). If stripped wire, the installer will need to use Wire nuts or wagos to make the connections between the fixtures.



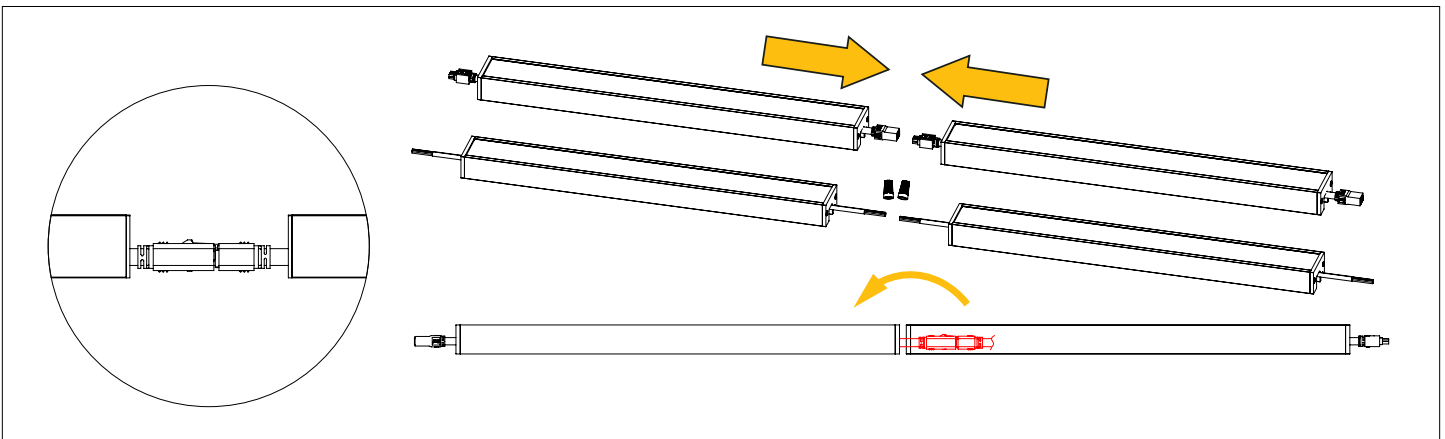
STEP 3 — Factory Plug Beginning of Run Connection

When PROCove3 is ordered in factory plug configuration the customer is provided with a female plug with additional cord length. This cord is used to make the connection from the Junction box to the first of run fixture.



STEP 4 — Fixture Connection and Hide Connectors

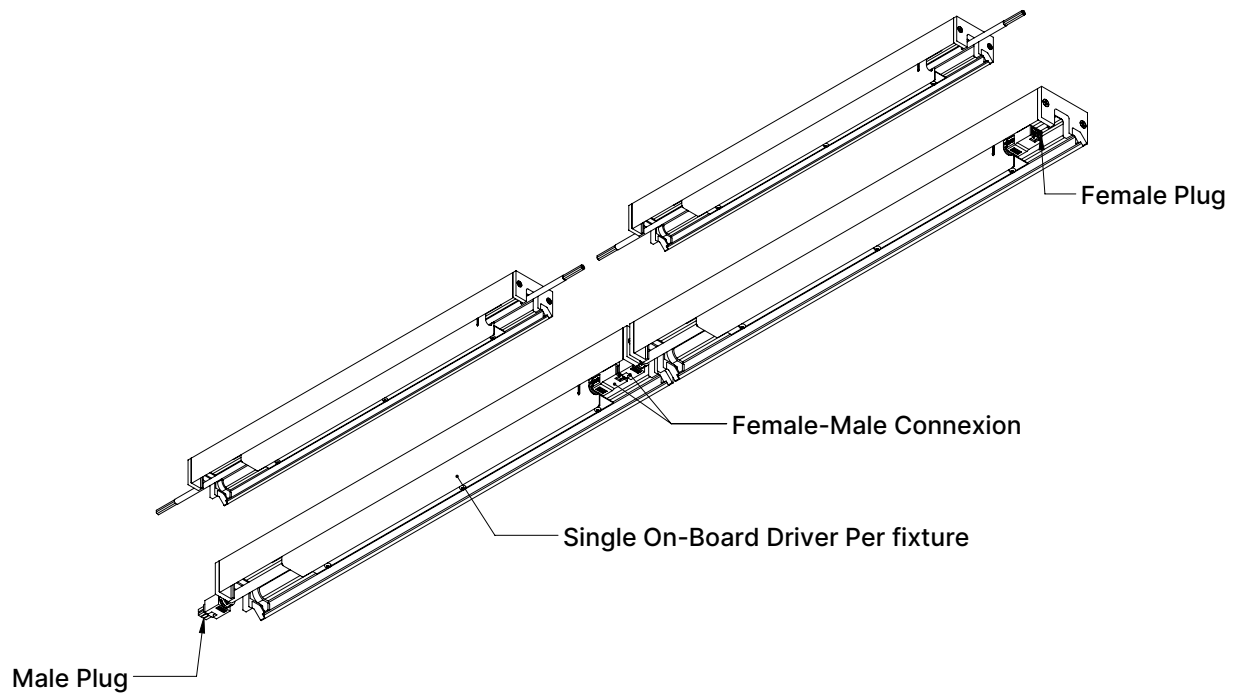
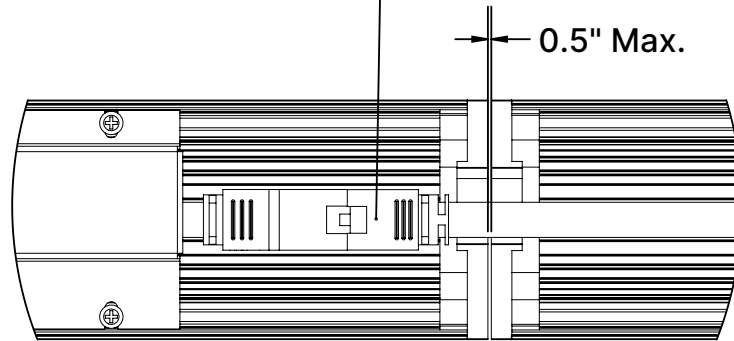
Bring fixture together and join them with the factory plug quick connects or wire nuts. Slide the quick connect plugs or wire nuts into the fixture. They must rest inside the housing at its final position.



STEP 5 — Hide Connectors

Adjust spacing - The maximum space between fixtures is .5" If the space between fixtures is over .5" shadow between fixtures may be present.

FP: FEMALE-MALE CONNECTION
SW: STRIP WIRE + WAGO CONNECTORS



Care Instructions:

Wipe with a soft cloth only. Always avoid using harsh chemicals and/or cleaners.