

# 3.5" Knife Edge Cove



Project Name \_\_\_\_\_

Fixture Type \_\_\_\_\_



## DESCRIPTION

### 3.5" Knife Edge Cove Lighting System

The 3.5" Knife Edge Cove is a field-cutable aluminum extrusion designed to deliver a sharply defined architectural edge for premium cove lighting. It is fully compatible with our NANO, MICRO, and EDGE Cove, Rail, and Slim fixtures, and can be paired with LED tape, optics, and drivers to create a complete cove lighting system. Optional accessories, including end cap kits, joiners, and corner brackets, support seamless integration and installation flexibility.

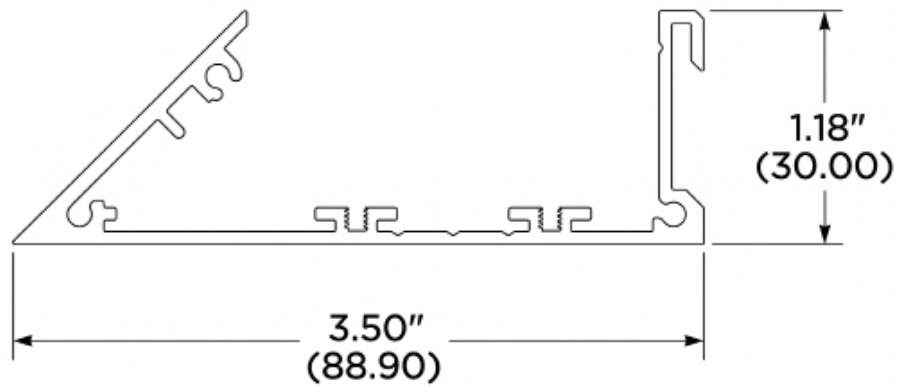
FIXTURE ORDERING			
PRODUCT CODE		LENGTH	FINISHES
<b>KEP35</b> - 3.5" Knife Edge Cove (1.2" H x 3.5" W)		<b>8</b> - 8 ft <b>X_</b> - Specify Ft', In"  Fixtures ship in 8' lengths and are field cuttable.	<b>PMW</b> - Matte White <b>SPW</b> - Spray Primed White <b>AL</b> - Aluminum
CRI	CCT	BEAM	OUTPUT
<b>NN</b> - Not Needed <b>80</b> - Std. 80 CRI <b>90</b> - Std. 90 CRI <b>95</b> - High-Def. 95 CRI	<b>NN</b> - Not Needed <b>27</b> - 2700K <b>30</b> - 3000K <b>35</b> - 3500K <b>40</b> - 4000K	<b>NN</b> - Not Needed <b>DLAM</b> - Lambertian	<b>NN</b> - Not Needed <b>35</b> - 350 lm/ft <b>50</b> - 500 lm/ft <b>75</b> - 750 lm/ft
LINE VOLTAGE		DRIVER (POWER)	
<b>NN</b> - Not Needed <b>24</b> - 24V		<b>NN</b> - Not Needed <b>FDND</b> - Factory Non-Dimming <b>FD01</b> - Factory 0-10V 1% Dim <b>FD10</b> - Factory 0-10V 10% Dim <b>LD01</b> - Lutron Eco 1% Dim	

OPTIONAL ACCESSORIES (SOLD SEPARATELY)		
END CAPS	JOINERS	CORNERS
<b>ECR</b> - Right End Cap <b>ECL</b> - Left End Cap <b>X_</b> - Specify Quantity	<b>JB</b> - Joiner Bracket <b>CB</b> - Corner Bracket <b>X_</b> - Specify Quantity	<b>IC</b> - Inside Corner <b>OC</b> - Outside Corner <b>X_</b> - Specify Quantity

## Compatibility

COVE DETAIL	COMPATIBLE FIXTURES (SOLD SEPARATELY)			
	NANOCove	NANORail	MICRORail	EDGESlim140
	<b>NCV95</b>	<b>NRA95</b>	<b>MRA110</b>	<b>ESM140</b>
3.5" Knife Edge Cove <b>KEP35</b>	■	■	■	■

## Dimensions



## Lengths

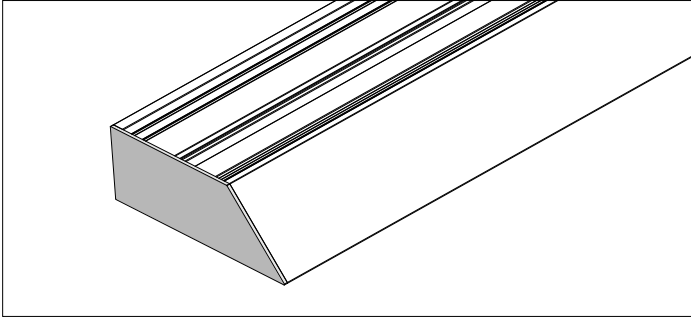


Cove detail ships in 8' field cuttable lengths

## Performance

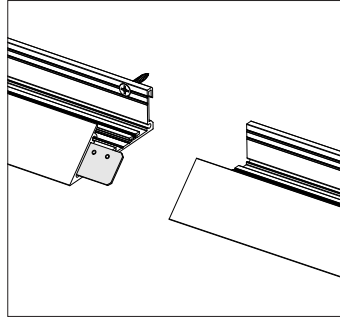
BEAM	OUTPUT					
	350 LPF		500 LPF		750 LPF	
	W/FT	LM/W	W/FT	LM/W	W/FT	LM/W
DLAM	3.2	109.4	4.6	108.7	6.9	108.7

## End Caps

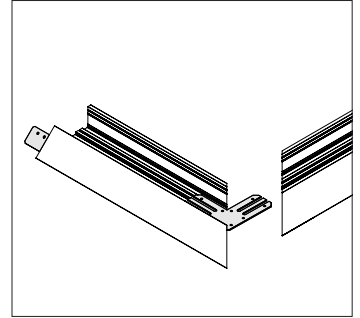


End Cap  
**ECR & ECL**

## Joiner / Connectors



Joiner Bracket  
**JB**

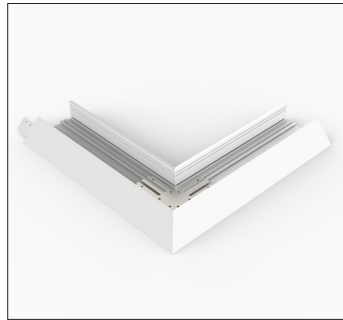


Corner Bracket  
**CB**  
Factory Cut for Field Assembly

## Corners



Inside Corner  
**IC**



Outside Corner  
**OC**

Corners factory cut for field assembly