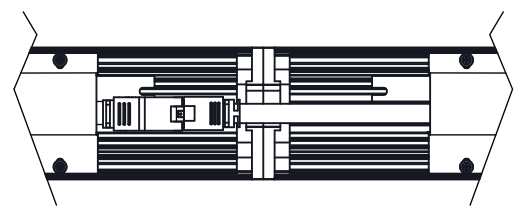
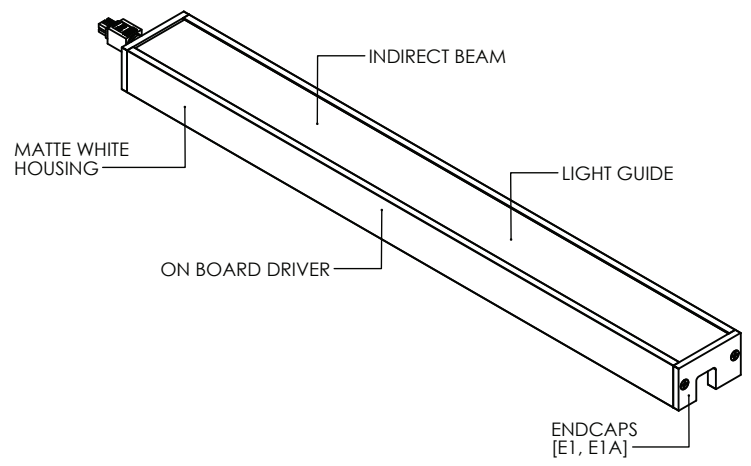
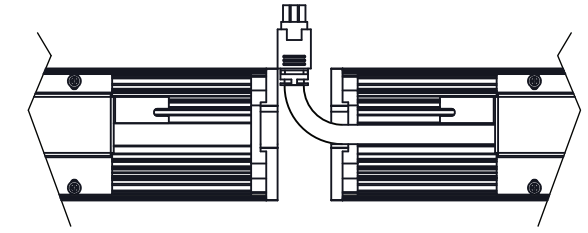


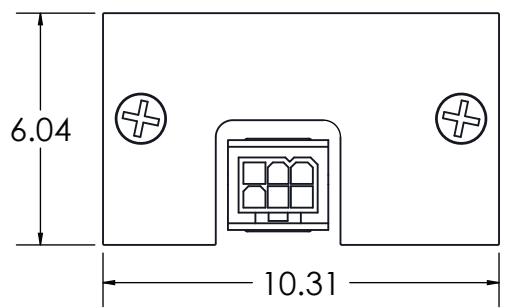
NOMINAL LENGTH [FT]	OVERALL LENGTH - L [IN]	DAISY CHAIN
2	24.22	DY / DN
3	36.22	DY / DN
4	48.22	DY / DN
5	60.22	DY / DN
6	72.22	DY / DN
7	84.22	DY / DN
8	96.22	DY / DN



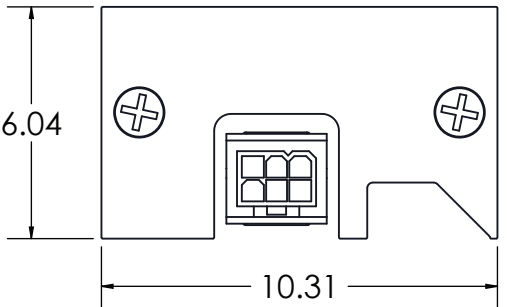
**DY - YES DAISY CHAIN**



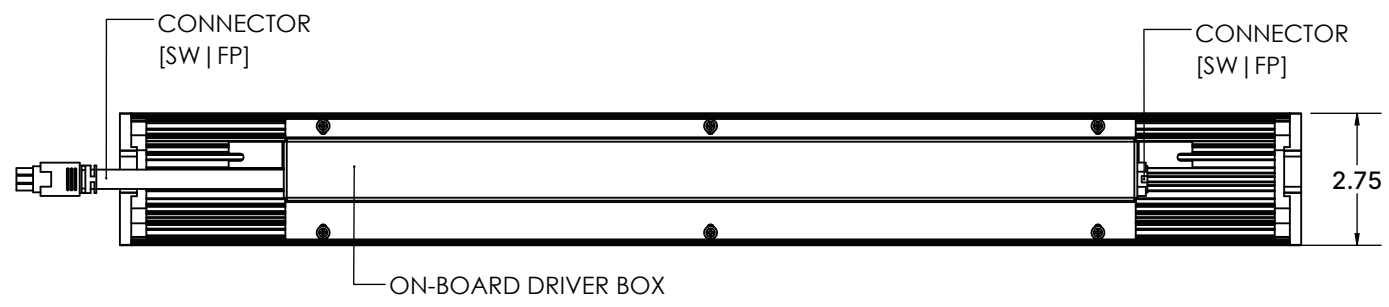
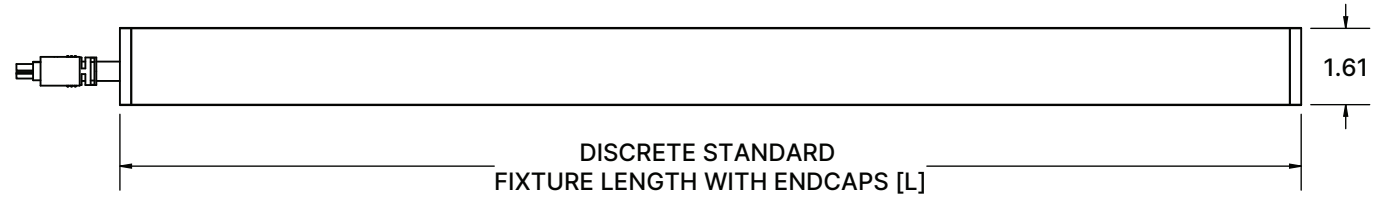
**DN - NO DAISY CHAIN**



**E1 - EndCap**



**E1A - EndCap**



PROPRIETARY AND CONFIDENTIAL : THE INFORMATION CONTAINED IN THIS DRAWING IS THE SOLE PROPERTY OF XICO . ANY REPRODUCTION IN PART OR AS A WHOLE WITHOUT THE WRITTEN PERMISSION OF XICO IS PROHIBITED.

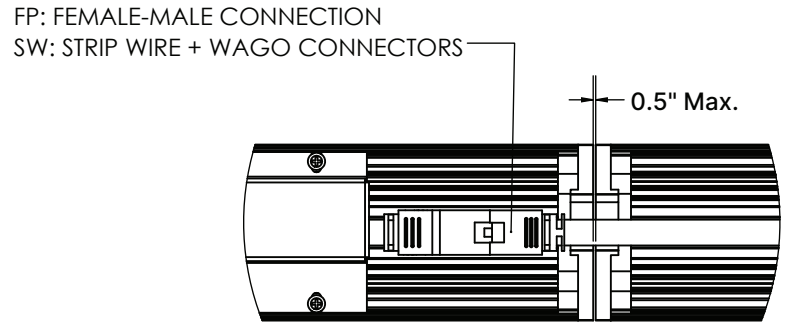
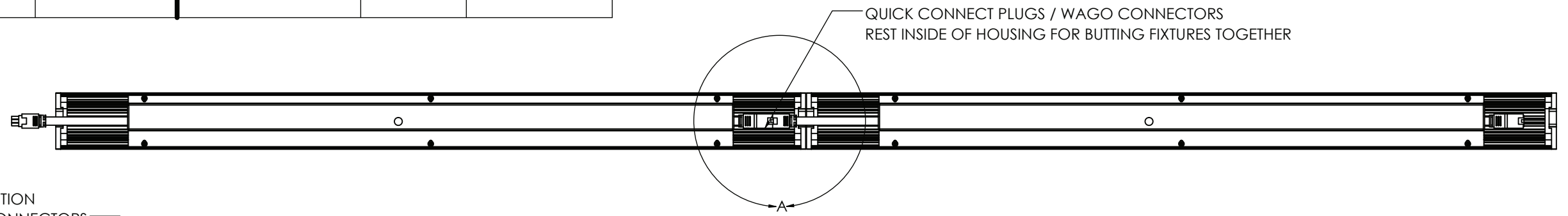
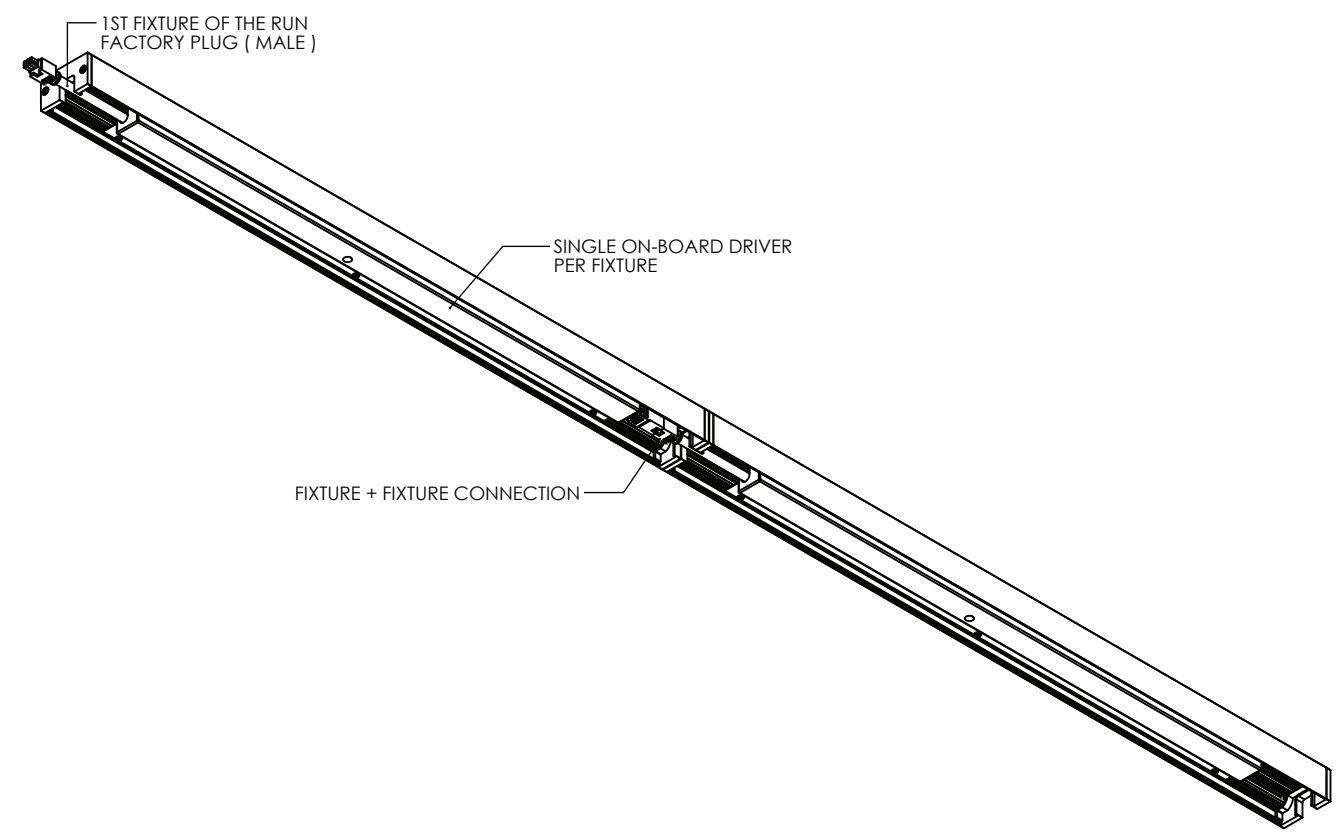
NOTES		SERIES	PRODUCT NAME	TYPE	MOUNTING	LENGTH	PRODUCT CODE	
		COVE	PROCove3			STD-DIS	PCV3-S	
		DWG NUMBER	MASTER ASSEMBLY	DATE	SCALE	SHEET 1 OF 2	REV	
		PCV3-S-PROD-TECH	FOA02-30345-3-0-E1-FP	08/02/2024	1:5		A	19 WHEELING AVENUE   WOBURN, MA 01801   XICOLED.COM

NOMINAL RUN LENGTH [FT]	OVERALL RUN LENGTH [IN]	RUN LENGTH BREAKDOWN	NOMINAL RUN LENGTH [FT]	OVERALL RUN LENGTH [IN]	RUN LENGTH BREAKDOWN
9	108.44	5 + 4	31	372.88	8 + 8 + 8 + 7
10	120.44	6 + 4	32	384.88	8 + 8 + 8 + 8
11	132.44	6 + 5	33	396.10	8 + 8 + 8 + 5 + 4
12	144.44	6 + 6	34	408.10	8 + 8 + 8 + 6 + 4
13	156.44	7 + 6	35	420.10	8 + 8 + 8 + 6 + 5
14	168.44	8 + 6	36	432.10	8 + 8 + 8 + 6 + 6
15	180.44	8 + 7	37	444.10	8 + 8 + 8 + 7 + 6
16	192.44	8 + 8	38	456.10	8 + 8 + 8 + 8 + 6
17	204.66	8 + 5 + 4	39	468.10	8 + 8 + 8 + 8 + 7
18	216.66	8 + 6 + 4	40	480.10	8 + 8 + 8 + 8 + 8
19	228.66	8 + 6 + 5	41	492.32	8 + 8 + 8 + 8 + 5 + 4
20	240.66	8 + 6 + 6	42	504.32	8 + 8 + 8 + 8 + 6 + 4
21	252.66	8 + 7 + 6	43	516.32	8 + 8 + 8 + 8 + 6 + 5
22	264.66	8 + 8 + 6	44	528.32	8 + 8 + 8 + 8 + 6 + 6
23	276.66	8 + 8 + 7	45	540.32	8 + 8 + 8 + 8 + 7 + 6
24	288.66	8 + 8 + 8	46	552.32	8 + 8 + 8 + 8 + 8 + 6
25	300.88	8 + 8 + 5 + 4	47	564.32	8 + 8 + 8 + 8 + 8 + 7
26	312.88	8 + 8 + 6 + 4	48	576.32	8 + 8 + 8 + 8 + 8 + 8
27	324.88	8 + 8 + 6 + 5	49	588.54	8 + 8 + 8 + 8 + 8 + 5 + 4
28	336.88	8 + 8 + 6 + 6	50	600.54	8 + 8 + 8 + 8 + 8 + 6 + 4
29	348.88	8 + 8 + 7 + 6	51	612.54	8 + 8 + 8 + 8 + 8 + 6 + 5
30	360.88	8 + 8 + 8 + 6	52	624.54	8 + 8 + 8 + 8 + 8 + 6 + 6

FOMULA TO CALCULATE LONGER RUNS  
 OVERALL RUN LENGTH [IN] = NOMINAL(FT)×12 + ROUNDUP (NOMINAL (FT/8) \* 0.22

THESE DIMENSIONS HAVE BEEN CALCULATED ASSUMING NO GAP BETWEEN FIXTURES, WITH FIXTURES INSTALLED END-TO-END. IF FIXTURES ARE INSTALLED WITH SPACING BETWEEN THEM, THIS ADDITIONAL GAP MUST BE TAKEN INTO ACCOUNT

CUSTOM RUNS					



**MAXIMUM SPACE BETWEEN FIXTURES**  
 IF SPACE BETWEEN FIXTURES IS OVER 0.5IN,  
 SHADOW BETWEEN FIXTURES MAY BE PRESENT.

PROPRIETARY AND CONFIDENTIAL : THE INFORMATION CONTAINED IN THIS DRAWING IS THE SOLE PROPERTY OF XICO . ANY REPRODUCTION IN PART OR AS A WHOLE WITHOUT THE WRITTEN PERMISSION OF XICO IS PROHIBITED.

NOTES		SERIES	PRODUCT NAME	TYPE	MOUNTING	LENGTH	PRODUCT CODE	
		COVE	PROCove3			STD-RUN	PCV3-S	
		DWG NUMBER	MASTER ASSEMBLY	DATE	SCALE	SHEET 1 OF 3	REV	
		PCV3-S-PROD-TECH	FOA02-30345-3-0-E1-FP	08/02/2024	1:10		A	19 WHEELING AVENUE   WOBURN, MA 01801   XICOLED.COM