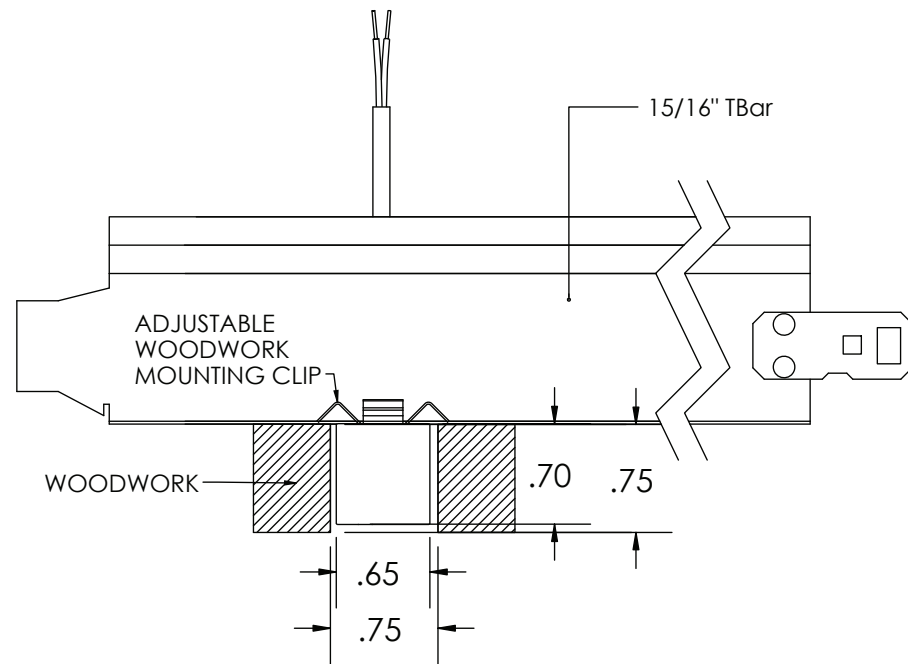
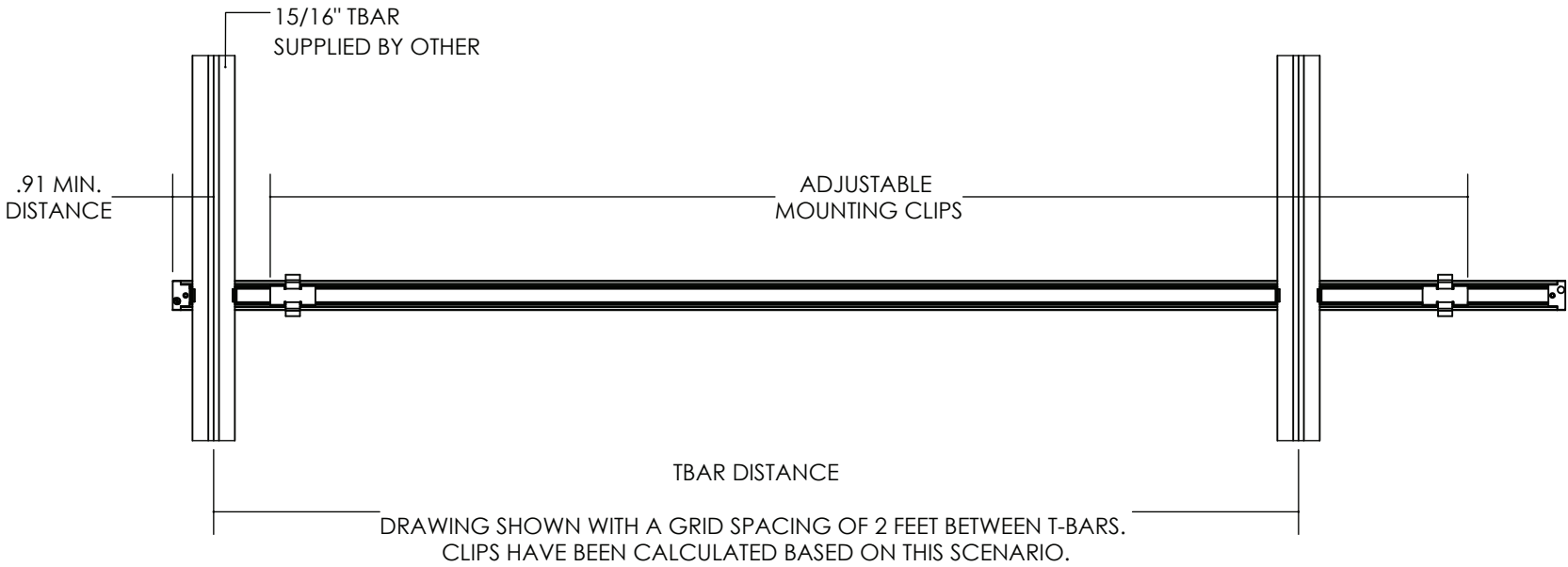
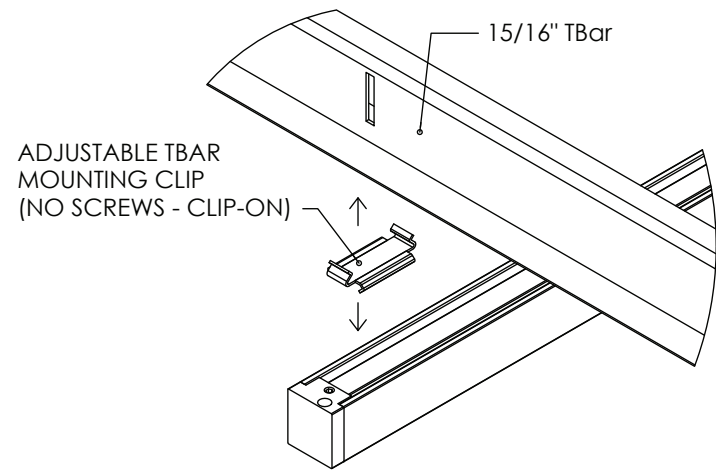
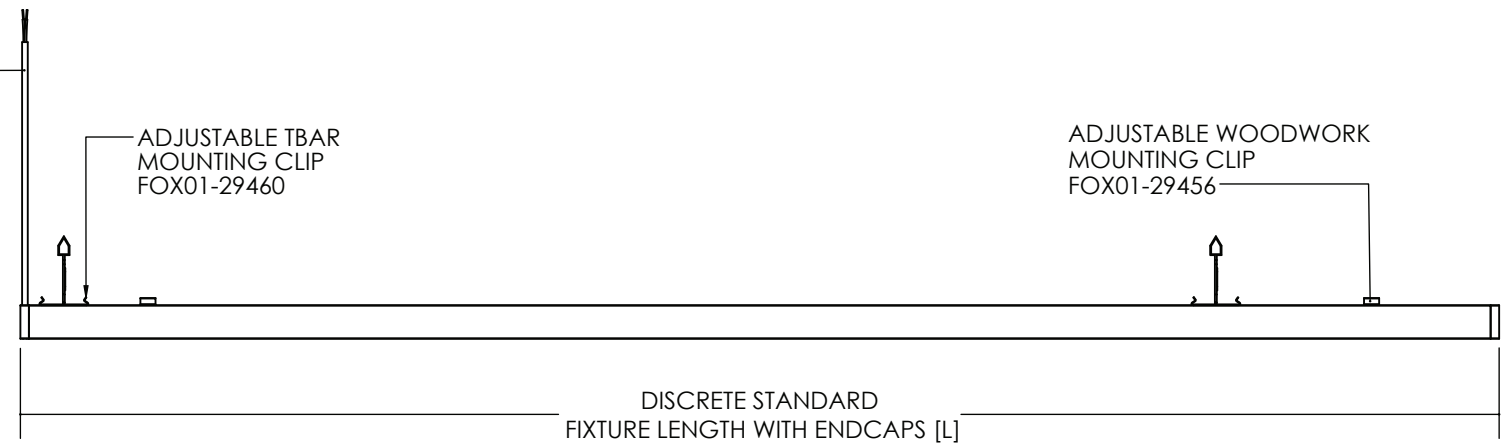


NOMINAL LENGTH [FT]	OVERALL LENGTH - L [IN]	TBAR MOUNTING CLIP FOX01-29460 QTY		WOODWORK MOUNTING CLIP FOX01-29456 QTY
		2X2 GRID	2X4 GRID	
2	24.807	1	1	2
3	36.807	2	1	2
4	48.807	2	2	3
5	60.807	3	2	3
6	72.807	3	2	3
7	84.807	4	2	4
8	96.807	4	2	4

REQUIRES REMOTE DRIVER  
(REF. XBOX OPTIONS)



24" DC STRIP WIRE  
1CH-2C-22AWG

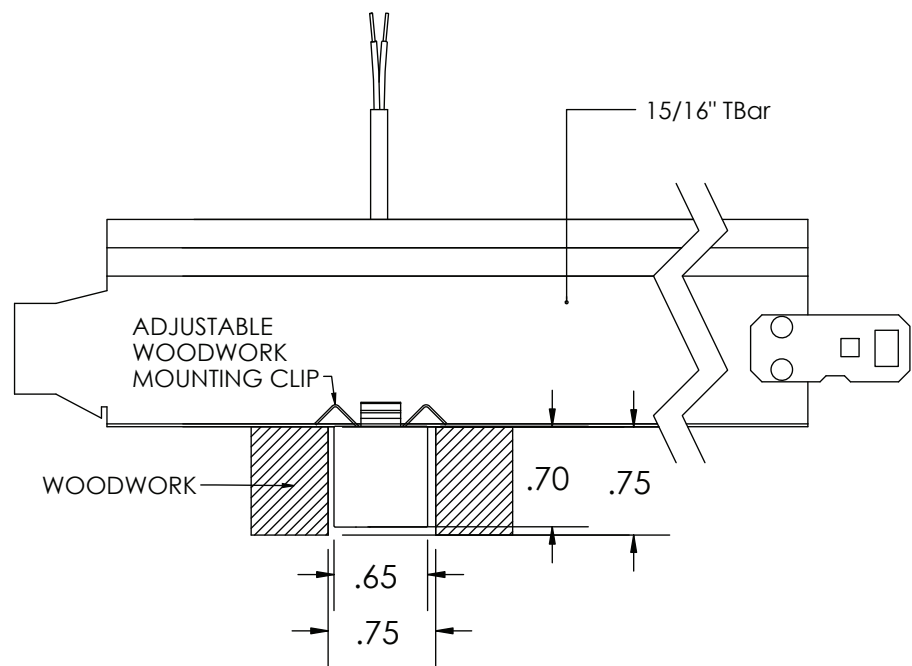
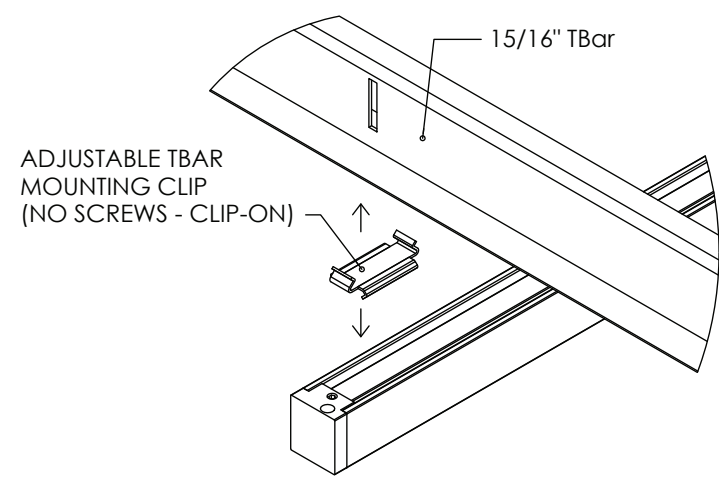


PROPRIETARY AND CONFIDENTIAL: THE INFORMATION CONTAINED IN THIS DRAWING IS THE SOLE PROPERTY OF XICO. ANY REPRODUCTION IN PART OR AS A WHOLE WITHOUT THE WRITTEN PERMISSION OF XICO IS PROHIBITED.

NOTES

	SERIES	PRODUCT NAME	TYPE	MOUNTING	LENGTH	PRODUCT CODE	
	NANO	NANOSquare65	RECESSED	WW	STD-DIS	NSQ65-R-WW	
DWG NUMBER	MASTER ASSEMBLY		DATE	SCALE	SHEET 1 OF 2	REV	
NSQ65-WW-S-PROD-TECH	FOA02-29310-01		08/02/2024	1:12		A	19 WHEELING AVENUE   WOBURN, MA 01801   XICOLED.COM

NOMINAL LENGTH [FT]	OVERALL LENGTH - L [IN]	TBAR MOUNTING CLIP FOX01-29460 QTY		WOODWORK MOUNTING CLIP FOX01-29456 QTY
		2X2 GRID	2X4 GRID	
9	108.720	5	3	4
10	120.720	5	3	4
11	132.708	6	4	4
12	144.708	6	4	4
13	156.669	7	5	4
14	168.669	7	5	4
15	180.630	8	6	4
16	192.630	8	6	4



REQUIRES REMOTE DRIVER  
(REF. XBOX OPTIONS)

15/16" TBAR  
SUPPLIED BY OTHER

.91 MIN.  
DISTANCE

ADJUSTABLE  
MOUNTING CLIPS

JOINER

TBAR DISTANCE

DRAWING SHOWN WITH A GRID SPACING OF 2 FEET BETWEEN T-BARS.  
CLIPS HAVE BEEN CALCULATED BASED ON THIS SCENARIO.

24" DC  
STRIP WIRE  
1CH-2C-22AWG

ADJUSTABLE TBAR  
MOUNTING CLIP  
FOX01-29460

ADJUSTABLE WOODWORK  
MOUNTING CLIP  
FOX01-29456

24" DC  
STRIP WIRE  
1CH-2C-22AWG

BOR

EOR

CONTINUOUS RUN STANDARD  
FIXTURE LENGTH (2 FIXTURES) WITH ENDCAPS

NOTES

SERIES NANO	PRODUCT NAME NANOSquare65	TYPE RECESSED	MOUNTING WW	LENGTH STD-RUN	PRODUCT CODE NSQ65-R-WW
DWG NUMBER NSQ65-WW-S-PROD-TECH	MASTER ASSEMBLY FOA02-29310-01	DATE 08/02/2024	SCALE 1:12	SHEET 2 OF 2	REV A

19 WHEELING AVENUE | WOBURN, MA 01801 | XICOLED.COM