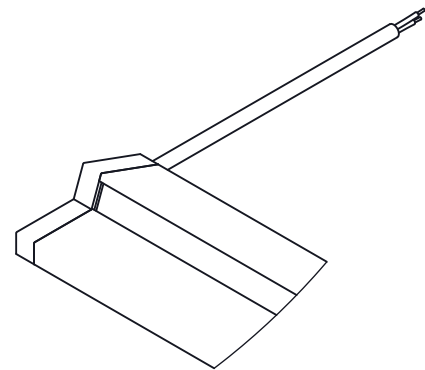
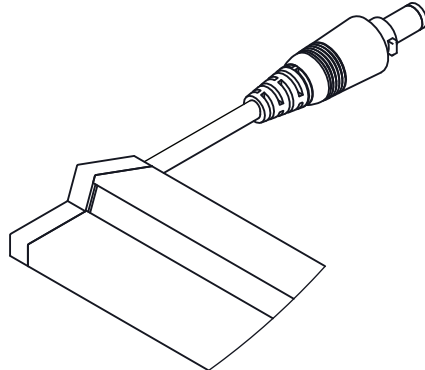


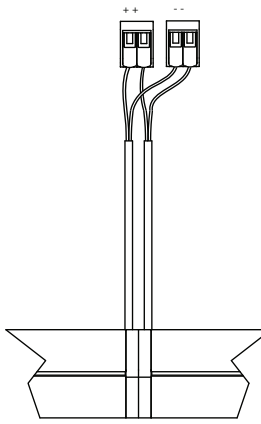
NOMINAL LENGTH [FT]	OVERALL LENGTH [IN]	DAISY CHAIN
1	12.39	DN
1.25	15.39	DN
1.5	18.39	DN
1.75	21.39	DN
2	24.39	DY / DN
2.25	27.39	DN
2.5	30.39	DN
2.75	33.39	DN
3	36.39	DN
3.25	39.39	DN
3.5	42.39	DN
3.75	45.39	DN
4	48.39	DY / DN
4.25	51.39	DN
4.5	54.39	DN
4.75	57.39	DN
5	60.39	DN
5.25	63.39	DN
5.5	66.39	DN
5.75	69.39	DN
6	72.39	DY / DN
6.25	75.39	DN
6.5	78.39	DN
6.75	81.39	DN
7	84.39	DN
7.25	87.39	DN
7.5	90.39	DN
7.75	93.39	DN
8	96.39	DN



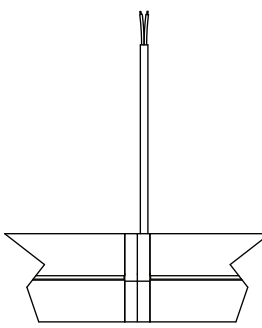
SW - STRIP WIRE



FP - FACTORY PLUG

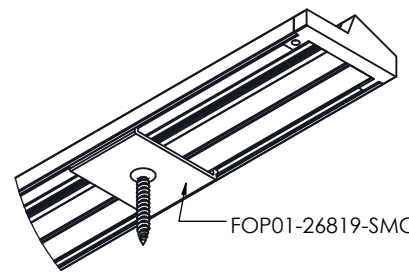


DY - YES DAISY CHAIN

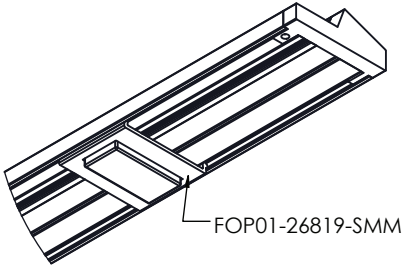


DN - NO DAISY CHAIN

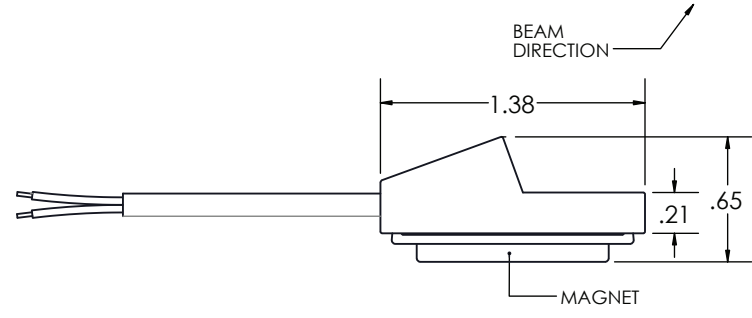
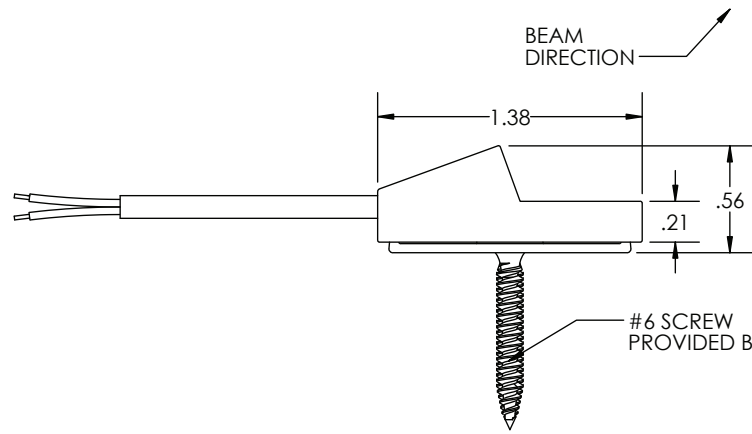
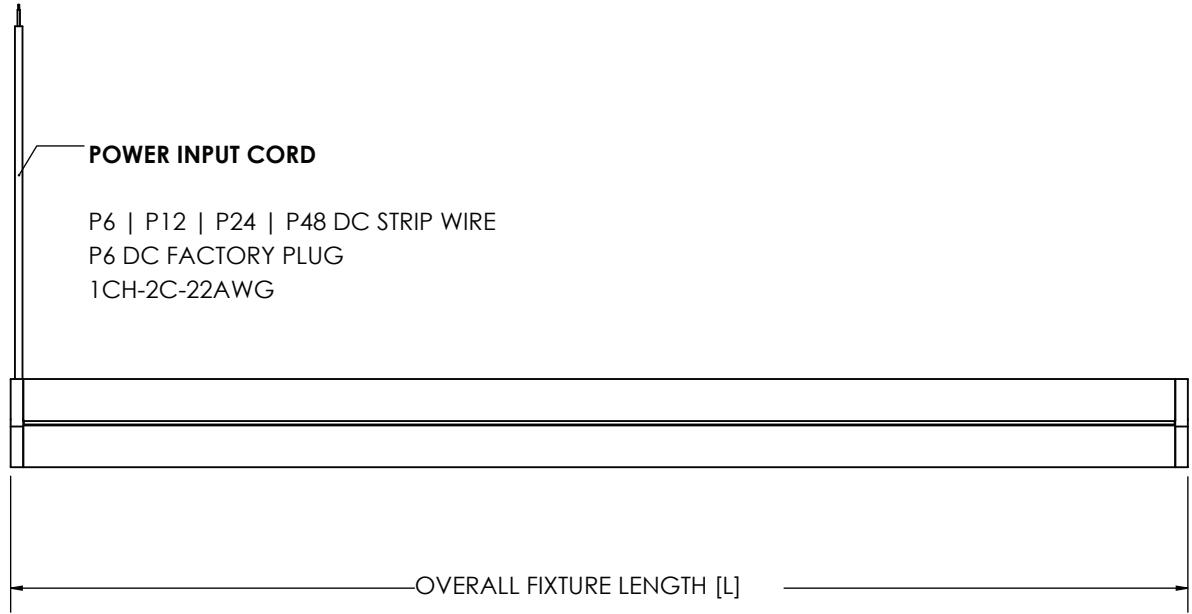
REQUIRES REMOTE DRIVER
(REF.XBOX OPTIONS)
*SINGLE DRIVER RUNS UP TO 8FT MAX.



SMC - SURFACE MOUNT CLIP



SMM - SURFACE MOUNT MAGNET



PROPRIETARY AND CONFIDENTIAL: THE INFORMATION CONTAINED IN THIS DRAWING IS THE SOLE PROPERTY OF XICO. ANY REPRODUCTION IN PART OR AS A WHOLE WITHOUT THE WRITTEN PERMISSION OF XICO IS PROHIBITED.

NOTES		SERIES	PRODUCT NAME	TYPE	MOUNTING	LENGTH	PRODUCT CODE	
		MICRO	MICROWedge140	RAIL	SMC SMM	STD	MWE140-S	
		DWG NUMBER	MASTER ASSEMBLY	DATE	SCALE	SHEET 1 OF 2	REV	
		MWE140-S-PROD-TECH	FOA02-26553	08/02/2024	1:12	A		
								19 WHEELING AVENUE WOBURN, MA 01801 XICOLED.COM