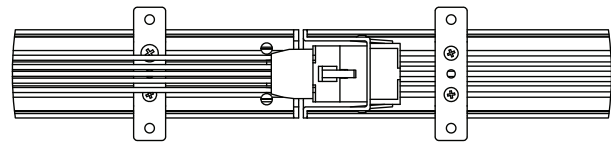
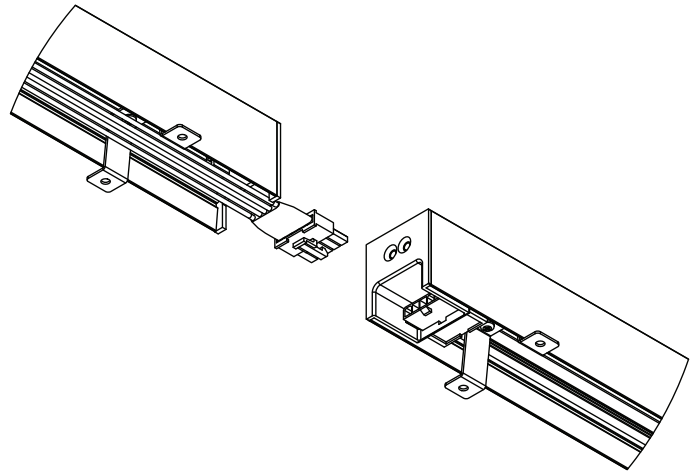
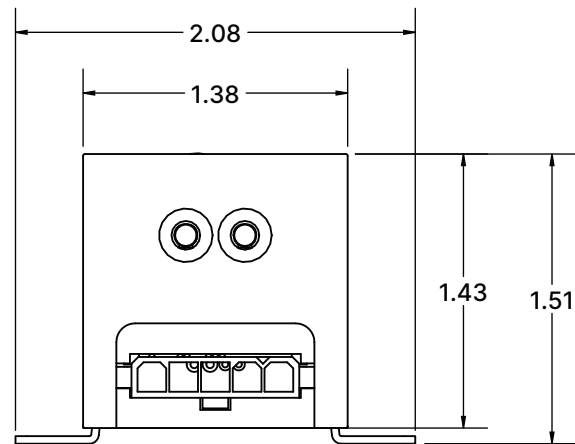


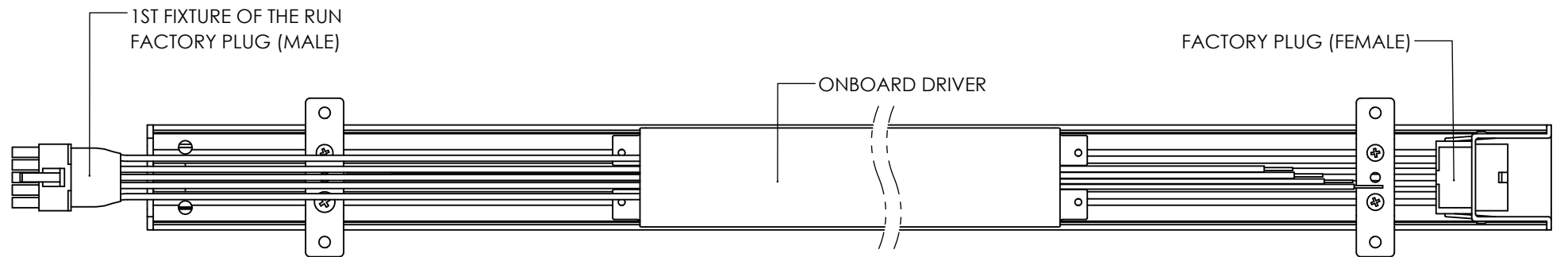
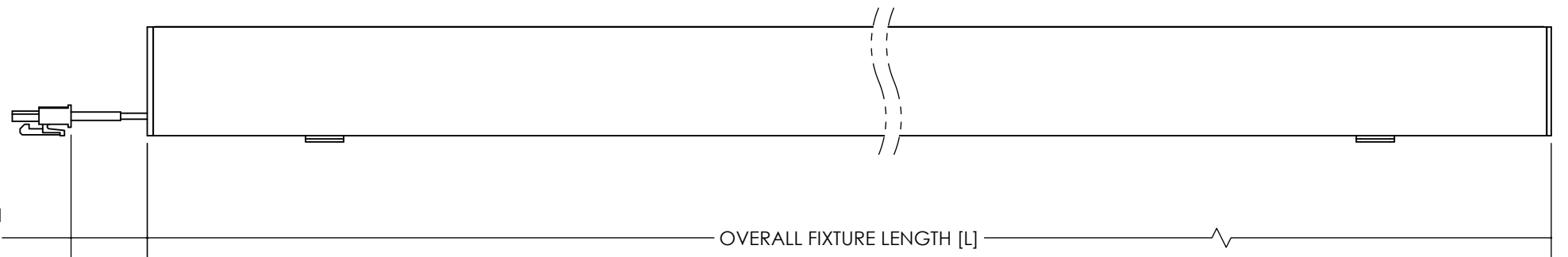
| NOMINAL LENGTH [FT] | OVERALL LENGTH - L [IN] | DAISY CHAIN |
|---------------------|-------------------------|-------------|
| 1.5 | 18.22 | DY/DN |
| 2 | 24.22 | DY/DN |
| 2.5 | 30.22 | DY/DN |
| 3 | 36.22 | DY/DN |
| 3.5 | 42.22 | DY/DN |
| 4 | 48.22 | DY/DN |
| 4.5 | 54.22 | DY/DN |
| 5 | 60.22 | DY/DN |
| 5.5 | 66.22 | DY/DN |
| 6 | 72.22 | DY/DN |



MALE - FEMALE CONNECTION



POWER EXTENSION
EC6W | EC12W
EC24W | EC48W



PROPRIETARY AND CONFIDENTIAL : THE INFORMATION CONTAINED IN THIS DRAWING IS THE SOLE PROPERTY OF XICO. ANY REPRODUCTION IN PART OR AS A WHOLE WITHOUT THE WRITTEN PERMISSION OF XICO IS PROHIBITED.

NOTES



| | | | | | |
|-----------------------------------|--------------------------------|--------------------|-----------------|---------------|---------------------------|
| SERIES MICRO | PRODUCT NAME MICROCove | TYPE COVE | MOUNTING SFM | LENGTH STD | PRODUCT CODE MCV-ACI-S |
| DWG NUMBER MCV-ACI-S-PROD-TECH | MASTER ASSEMBLY FOA02-29010 | DATE 08/02/2024 | SCALE 1:4 | SHEET 2 OF 3 | REV A |



19 WHEELING AVENUE | WOBURN, MA 01801 | XICOLED.COM

| NOMINAL RUN LENGTH [FT] | OVERALL RUN LENGTH - L [IN] | RUN LENGTH BREAKDOWN | DAISY CHAIN |
|-------------------------|-----------------------------|---------------------------|-------------|
| 7 | 84.44 | 4 + 3 | DY/DN |
| 8 | 96.44 | 4 + 4 | DY/DN |
| 9 | 108.44 | 4 + 5 | DY/DN |
| 10 | 120.44 | 4 + 6 | DY/DN |
| 11 | 132.44 | 6 + 5 | DY/DN |
| 12 | 144.44 | 6 + 6 | DY/DN |
| 13 | 156.66 | 6 + 4 + 3 | DY/DN |
| 14 | 168.66 | 6 + 6 + 2 | DY/DN |
| 15 | 180.66 | 6 + 6 + 3 | DY/DN |
| 16 | 192.66 | 6 + 6 + 4 | DY/DN |
| 17 | 204.66 | 6 + 6 + 5 | DY/DN |
| 18 | 216.66 | 6 + 6 + 6 | DY/DN |
| 19 | 228.88 | 6 + 6 + 4 + 3 | DY/DN |
| 20 | 240.88 | 6 + 6 + 6 + 2 | DY/DN |
| 21 | 252.88 | 6 + 6 + 6 + 3 | DY/DN |
| 22 | 264.88 | 6 + 6 + 6 + 4 | DY/DN |
| 23 | 276.88 | 6 + 6 + 6 + 5 | DY/DN |
| 24 | 288.88 | 6 + 6 + 6 + 6 | DY/DN |
| 25 | 301.10 | 6 + 6 + 6 + 4 + 3 | DY/DN |
| 26 | 313.10 | 6 + 6 + 6 + 6 + 2 | DY/DN |
| 27 | 325.10 | 6 + 6 + 6 + 6 + 3 | DY/DN |
| 28 | 337.10 | 6 + 6 + 6 + 6 + 4 | DY/DN |
| 29 | 349.10 | 6 + 6 + 6 + 6 + 5 | DY/DN |
| 30 | 361.10 | 6 + 6 + 6 + 6 + 6 | DY/DN |
| 31 | 373.32 | 6 + 6 + 6 + 6 + 4 + 3 | DY/DN |
| 32 | 385.32 | 6 + 6 + 6 + 6 + 6 + 2 | DY/DN |
| 33 | 397.32 | 6 + 6 + 6 + 6 + 6 + 3 | DY/DN |
| 34 | 409.32 | 6 + 6 + 6 + 6 + 6 + 4 | DY/DN |
| 35 | 421.32 | 6 + 6 + 6 + 6 + 6 + 5 | DY/DN |
| 36 | 433.32 | 6 + 6 + 6 + 6 + 6 + 6 | DY/DN |
| 37 | 445.54 | 6 + 6 + 6 + 6 + 6 + 4 + 3 | DY/DN |
| 38 | 457.54 | 6 + 6 + 6 + 6 + 6 + 6 + 2 | DY/DN |
| 39 | 469.54 | 6 + 6 + 6 + 6 + 6 + 6 + 3 | DY/DN |
| 40 | 481.54 | 6 + 6 + 6 + 6 + 6 + 6 + 4 | DY/DN |

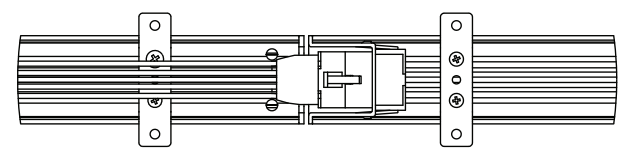
FORMULA TO CALCULATE LONGER RUNS

OVERALL RUN LENGTH [IN] = NOMINAL (FT)X12 + ROUNDUP(NOMINAL (FT)/6) * 0.22

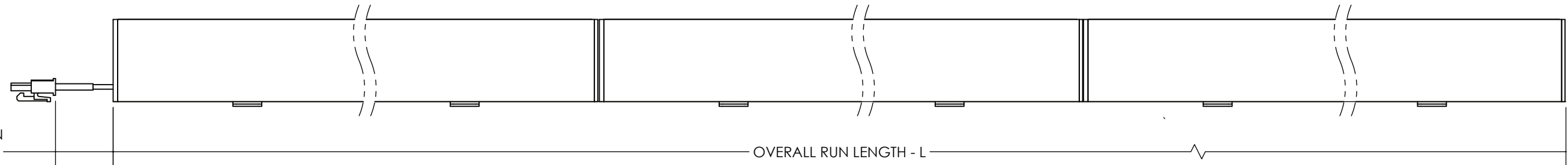
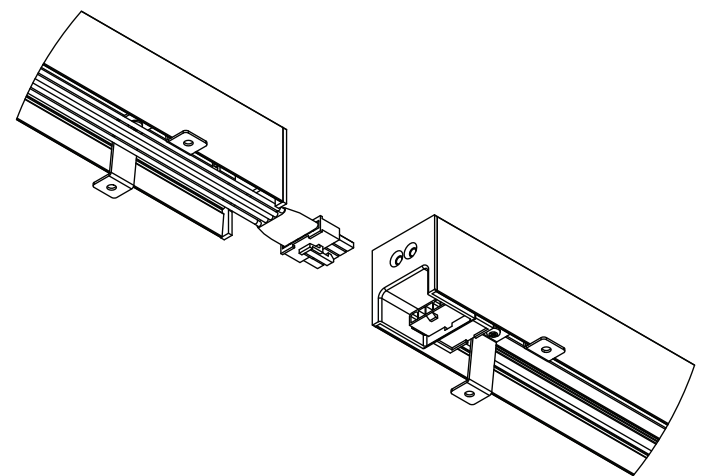
THESE DIMENSIONS HAVE BEEN CALCULATED ASSUMING A LINEAR RUN WITH NO GAP BETWEEN FIXTURES, WITH FIXTURES INSTALLED END-TO-END. IF FIXTURES ARE INSTALLED WITH SPACING BETWEEN THEM, THIS ADDITIONAL GAP MUST BE TAKEN INTO ACCOUNT

CUSTOM RUNS

| | | | |
|--|--|--|--|
| | | | |
| | | | |
| | | | |
| | | | |
| | | | |
| | | | |



MALE - FEMALE CONNECTION



POWER EXTENSION
EC6W | EC12W
EC24W | EC48W

| | | | | | | | | |
|-------|--|-----------------------------------|--------------------------------|--------------------|-----------------|---------------|---------------------------|--|
| NOTES | | SERIES MICRO | PRODUCT NAME MICROCove | TYPE COVE | MOUNTING SFM | LENGTH STD | PRODUCT CODE MCV-ACI-S | |
| | | DWG NUMBER MCV-ACI-S-PROD-TECH | MASTER ASSEMBLY FOA02-29010 | DATE 08/02/2024 | SCALE 1:4 | SHEET 3 OF 3 | REV A | |

19 WHEELING AVENUE | WOBURN, MA 01801 | XICOLED.COM

PROPRIETARY AND CONFIDENTIAL : THE INFORMATION CONTAINED IN THIS DRAWING IS THE SOLE PROPERTY OF XICO . ANY REPRODUCTION IN PART OR AS A WHOLE WITHOUT THE WRITTEN PERMISSION OF XICO IS PROHIBITED.