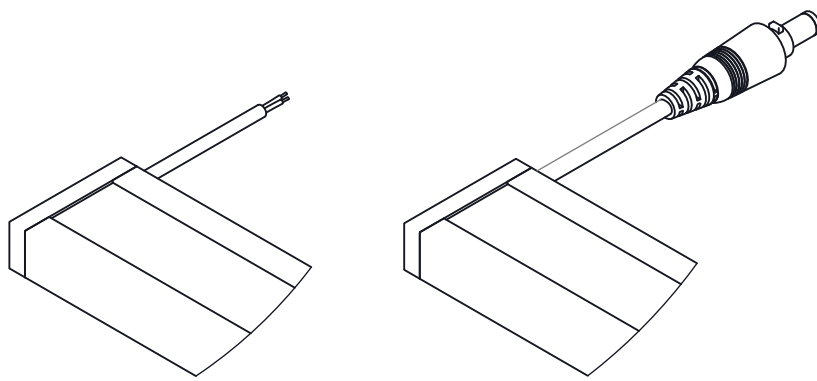
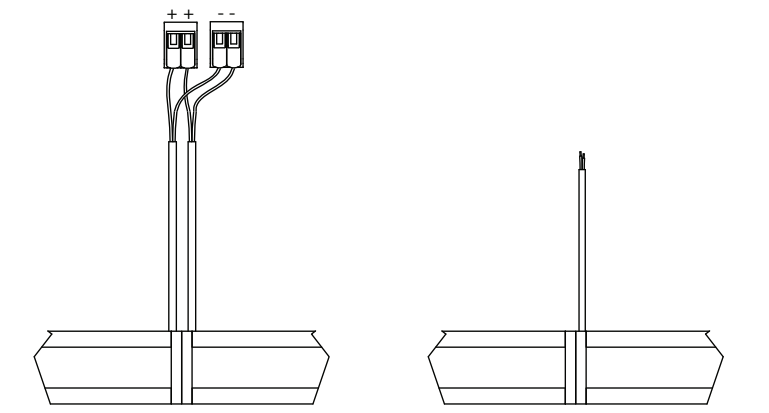


NOMINAL LENGTH [FT]	OVERALL LENGTH - L [IN]	DAISY CHAIN
1	12.37	DN
1.25	15.37	DN
1.5	18.37	DN
1.75	21.37	DN
2	24.37	DY / DN
2.25	27.37	DN
2.5	30.37	DN
2.75	33.37	DN
3	36.37	DN
3.25	39.37	DN
3.5	42.37	DN
3.75	45.37	DN
4	48.37	DY / DN
4.25	51.37	DN
4.5	54.37	DN
4.75	57.37	DN
5	60.37	DN
5.25	63.37	DN
5.5	66.37	DN
5.75	69.37	DN
6	72.37	DY / DN

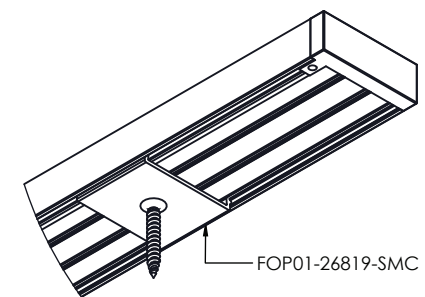


SW - STRIP WIRE **FP** - FACTORY PLUG

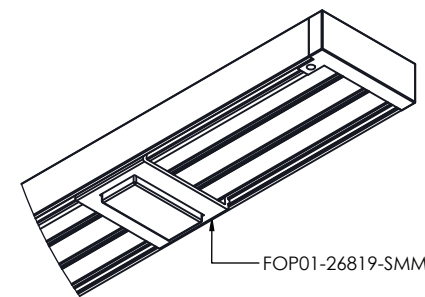
REQUIRES REMOTE DRIVER
(REF.XBOX OPTIONS)
*SINGLE DRIVER RUNS UP TO 8FT MAX.



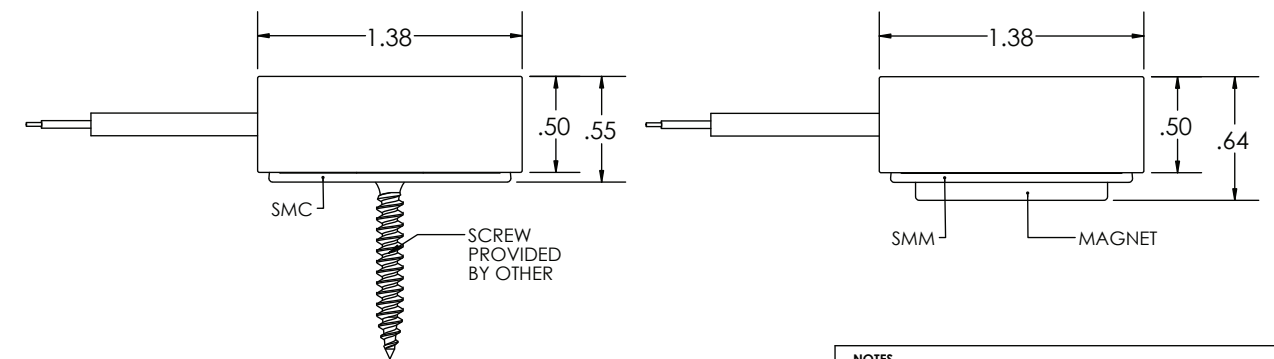
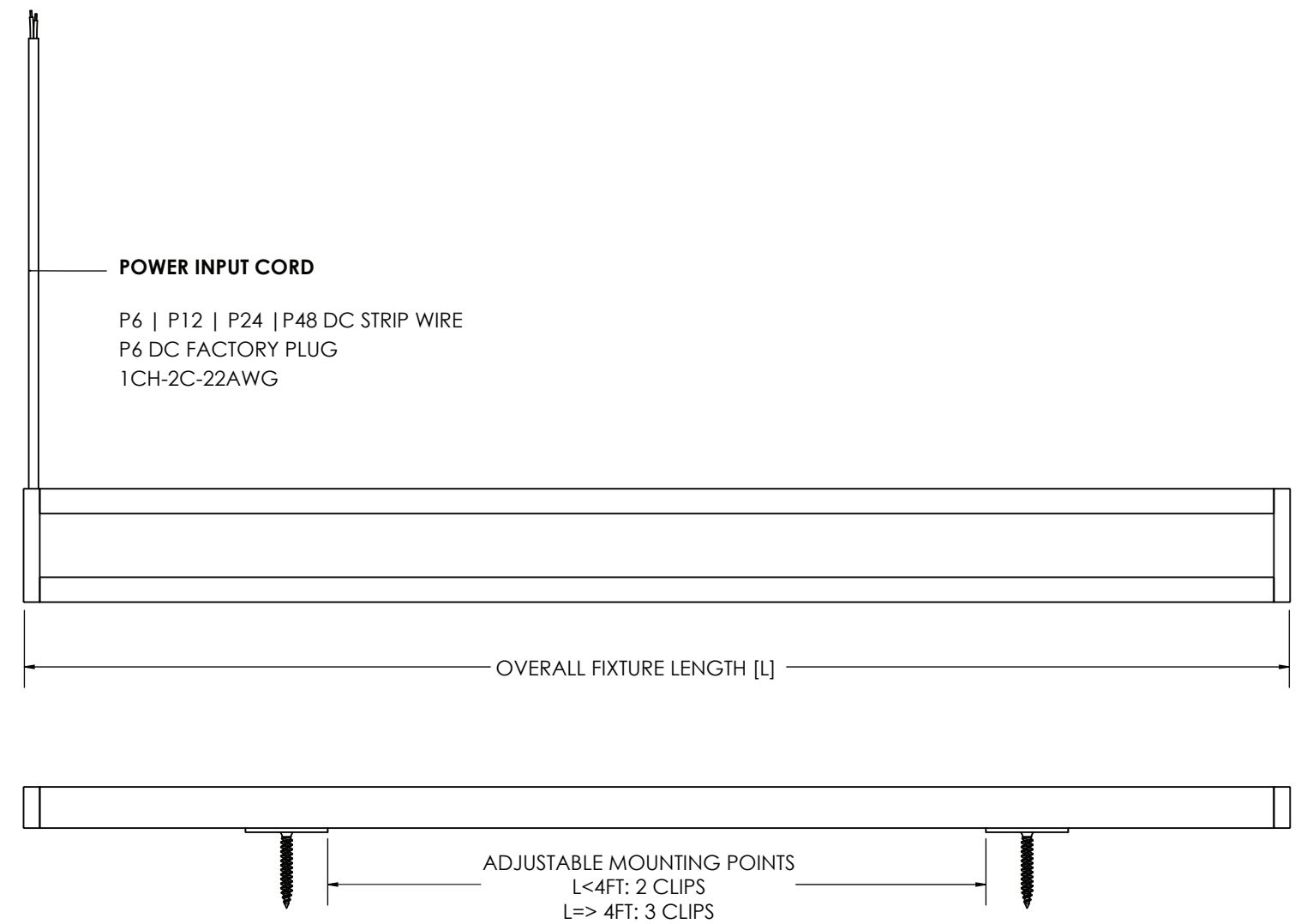
DY - YES DAISY CHAIN **DN** - NO DAISY CHAIN



SMC - SURFACE MOUNT CLIP



SMM - SURFACE MOUNT MAGNET



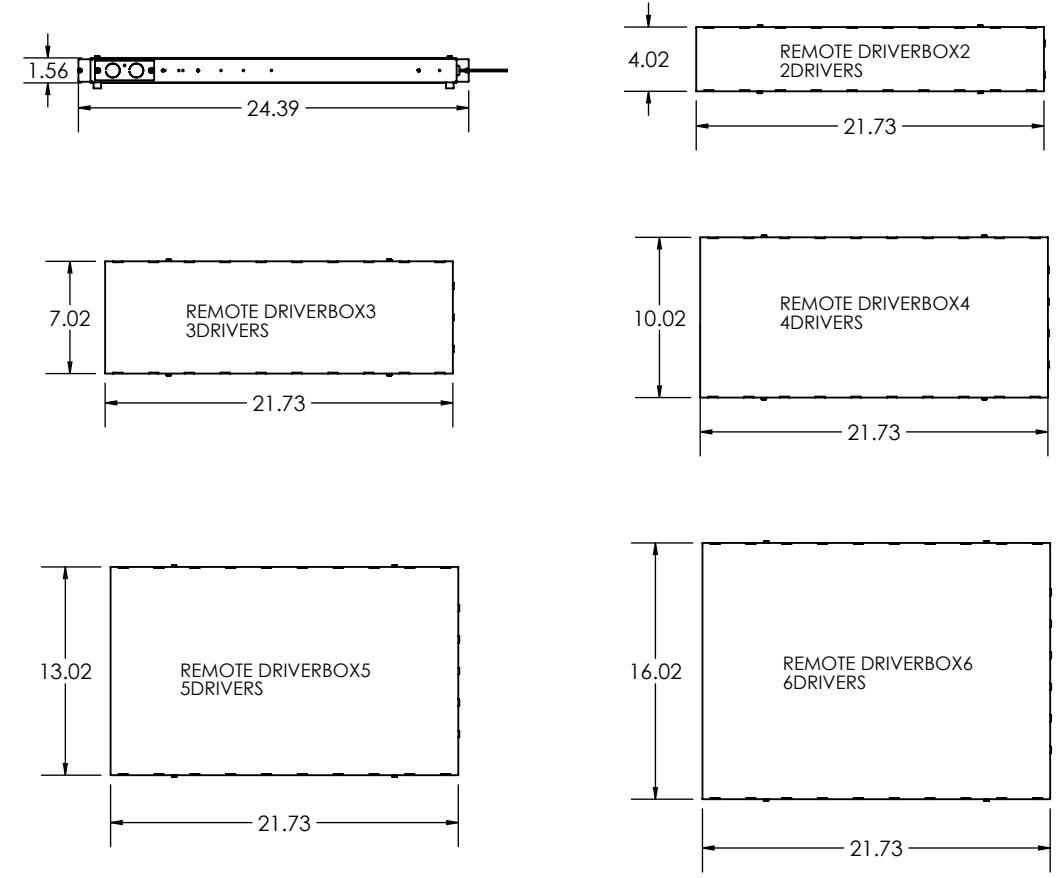
PROPRIETARY AND CONFIDENTIAL : THE INFORMATION CONTAINED IN THIS DRAWING IS THE SOLE PROPERTY OF XICO. ANY REPRODUCTION IN PART OR AS A WHOLE WITHOUT THE WRITTEN PERMISSION OF XICO IS PROHIBITED.

NOTES		SERIES EDGE	PRODUCT NAME EDGESlim140	TYPE RAIL	MOUNTING SMC SMM	LENGTH STD	PRODUCT CODE ESM140-S	
		DWG NUMBER ESM140-S-PROD-TECH	MASTER ASSEMBLY FOA02-37678	DATE 08/02/2024	SCALE 1:4	SHEET 1 OF 3	REV A	

19 WHEELING AVENUE | WOBURN, MA 01801 | XICOLED.COM

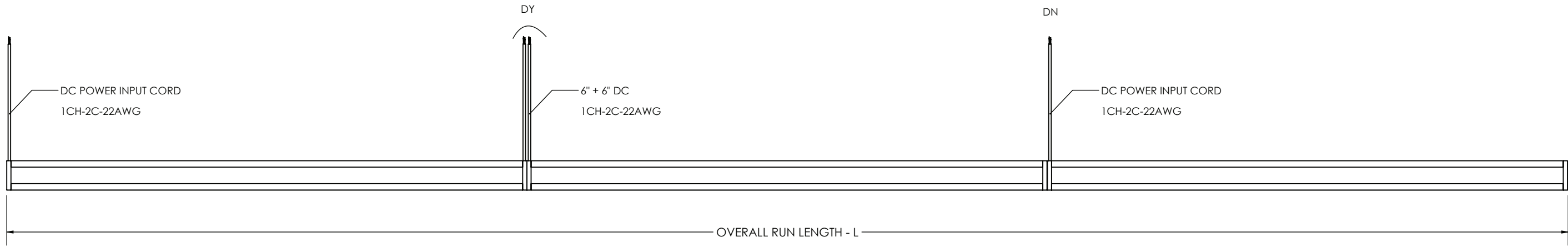
NOMINAL RUN LENGTH [FT]	OVERALL RUN LENGTH - L [IN]	RUN LENGTH BREAKDOWN	DRIVER QTY PER RUN
7	84.74	4 + 3	1
8	96.74	4 + 4	1
9	109.11	5 + 4	2
10	121.11	6 + 4	2
11	133.11	6 + 5	2
12	145.11	6 + 6	2
13	157.48	4 + 4 + 5	2
14	169.48	4 + 4 + 6	2
15	181.48	4 + 4 + 4 + 3	2
16	193.48	4 + 4 + 4 + 4	2
17	205.85	4 + 4 + 4 + 5	2
18	217.85	4 + 4 + 4 + 4 + 2	3
19	229.85	4 + 4 + 4 + 4 + 3	3
20	241.85	4 + 4 + 4 + 4 + 4	3
21	254.22	4 + 4 + 4 + 4 + 5	3
22	266.22	4 + 4 + 4 + 4 + 4 + 2	3
23	278.22	4 + 4 + 4 + 4 + 4 + 3	3
24	290.22	4 + 4 + 4 + 4 + 4 + 4	4
25	302.59	4 + 4 + 4 + 4 + 4 + 5	4
26	314.59	4 + 4 + 4 + 4 + 4 + 4 + 2	4
27	326.59	4 + 4 + 4 + 4 + 4 + 4 + 3	4
28	338.59	4 + 4 + 4 + 4 + 4 + 4 + 4	4
29	350.96	4 + 4 + 4 + 4 + 4 + 4 + 5	4
30	362.96	4 + 4 + 4 + 4 + 4 + 4 + 4 + 2	4
FORMULA TO CALCULATE LONGER RUNS	OVERALL RUN LENGTH [IN] = NOMINAL (FT)X12 + ROUNDUP(NOMINAL (FT)/4) * 0.37	DRIVER COUNT IS BASED ON DAISY-CHAIN CONFIGURATION. IF FIXTURES CANNOT BE DAISY-CHAINED AND REQUIRE INDEPENDENT WIRING, A 1:1 DRIVER-TO-FIXTURE RATIO WILL APPLY	
THESE DIMENSIONS HAVE BEEN CALCULATED ASSUMING A LINEAR RUN WITH NO GAP BETWEEN FIXTURES, WITH FIXTURES INSTALLED END-TO-END. IF FIXTURES ARE INSTALLED WITH SPACING BETWEEN THEM, THIS ADDITIONAL GAP MUST BE TAKEN INTO ACCOUNT			
CUSTOM LONGER RUNS			

REMOTE DRIVERBOX OPTIONS



REQUIRES REMOTE DRIVER (REF.XBOX OPTIONS)

*SINGLE DRIVER RUNS UP TO 8FT MAX.



PROPRIETARY AND CONFIDENTIAL : THE INFORMATION CONTAINED IN THIS DRAWING IS THE SOLE PROPERTY OF XICO . ANY REPRODUCTION IN PART OR AS A WHOLE WITHOUT THE WRITTEN PERMISSION OF XICO IS PROHIBITED.

NOTES		SERIES EDGE	PRODUCT NAME EDGESlim140	TYPE RAIL	MOUNTING SMC SMM	LENGTH RUN	PRODUCT CODE ESM140-S	
		DWG NUMBER ESM140-S-PROD-TECH	MASTER ASSEMBLY FOA02-37678	DATE 08/02/2024	SCALE 1:4	SHEET 1 OF 3	REV A	

19 WHEELING AVENUE | WOBURN, MA 01801 | XICOLED.COM