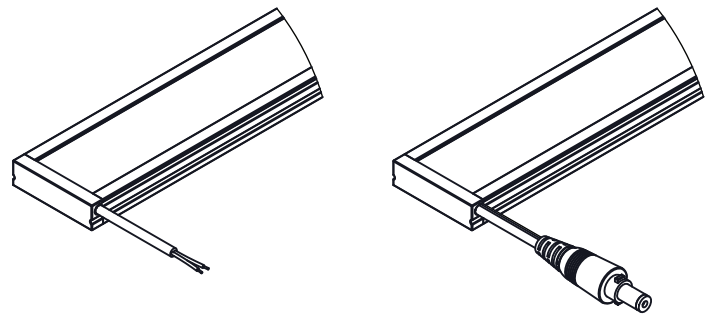
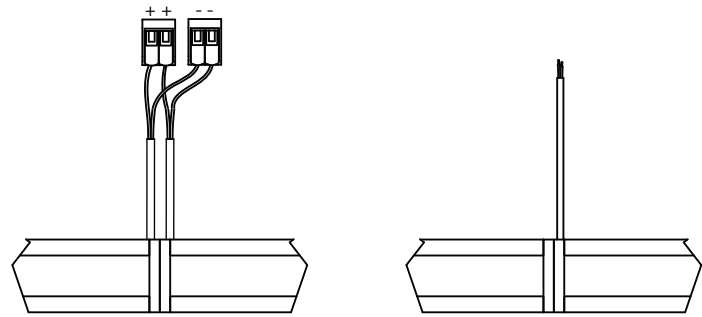


NOMINAL LENGTH [FT]	OVERALL LENGTH - L [IN]	DAISY-CHAIN CAPABILITY
0.5	6.506	DN
0.75	9.345	DN
1	12.185	DN
1.25	15.025	DN
1.5	17.864	DN
1.75	20.704	DN
2	23.898	DY

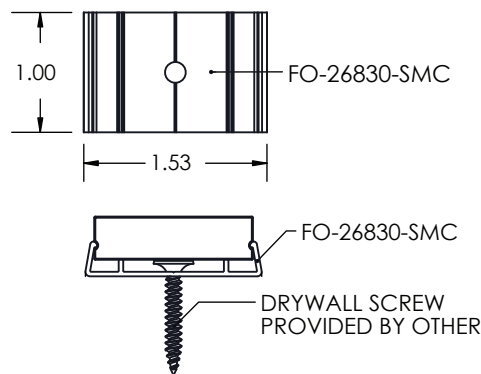


**SW - STRIP WIRE**      **FP - FACTORY PLUG**

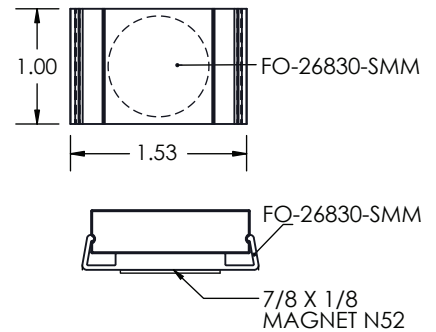


**DN - DAISY CHAIN - NO**      **DY - DAISY CHAIN - YES**

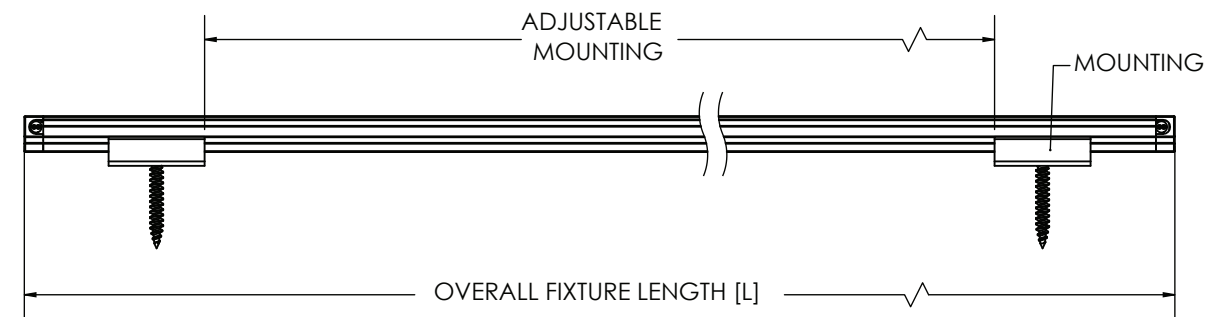
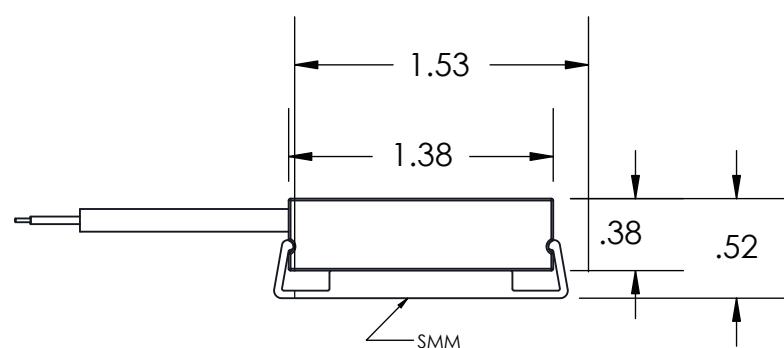
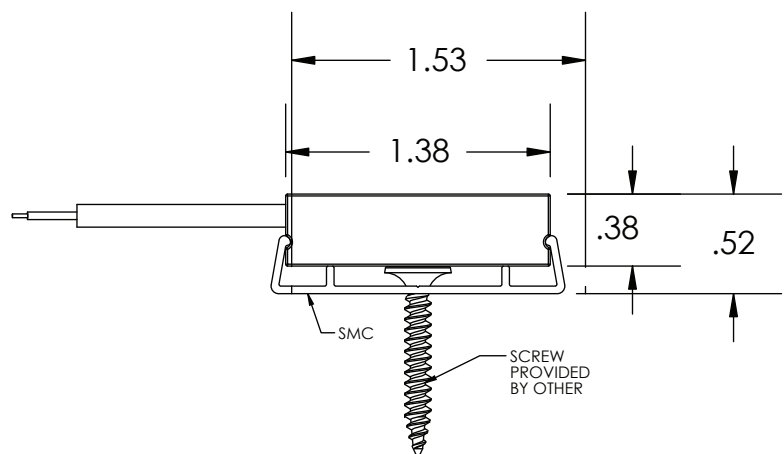
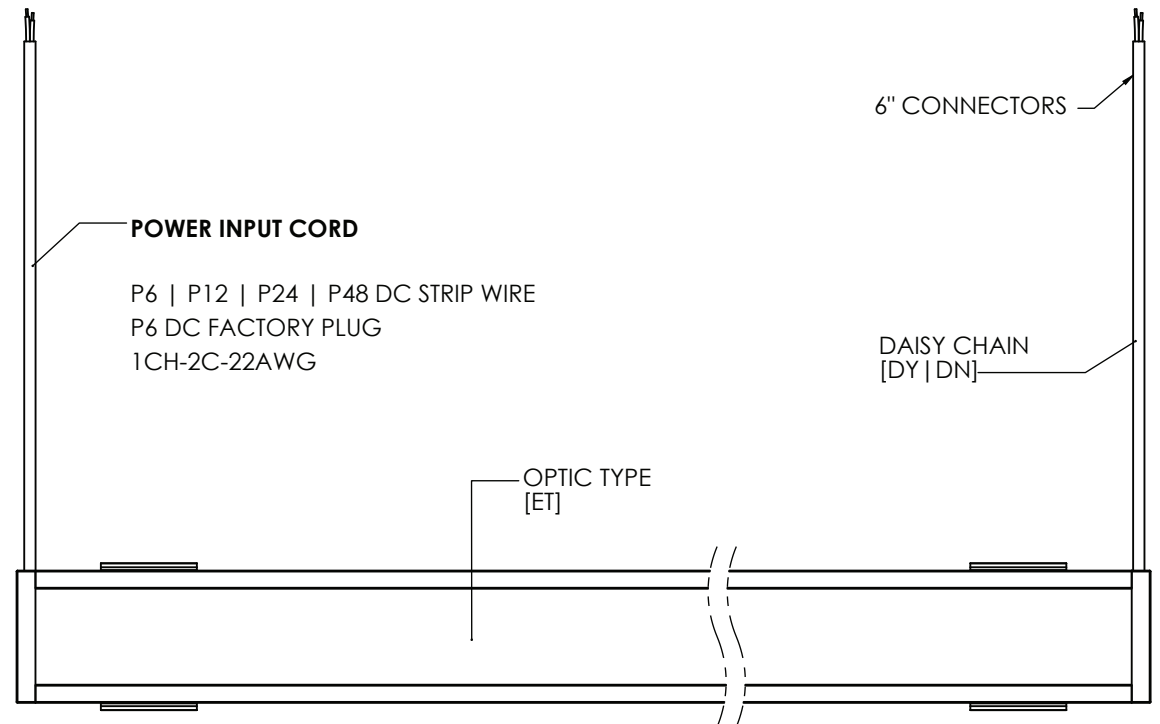
REQUIRES REMOTE DRIVER  
(REF.XBOX OPTIONS)  
  
\*SINGLE DRIVER RUNS UP TO 8FT MAX.



**SMC - SURFACE MOUNT CLIP**



**SMM - SURFACE MOUNT MAGNET**

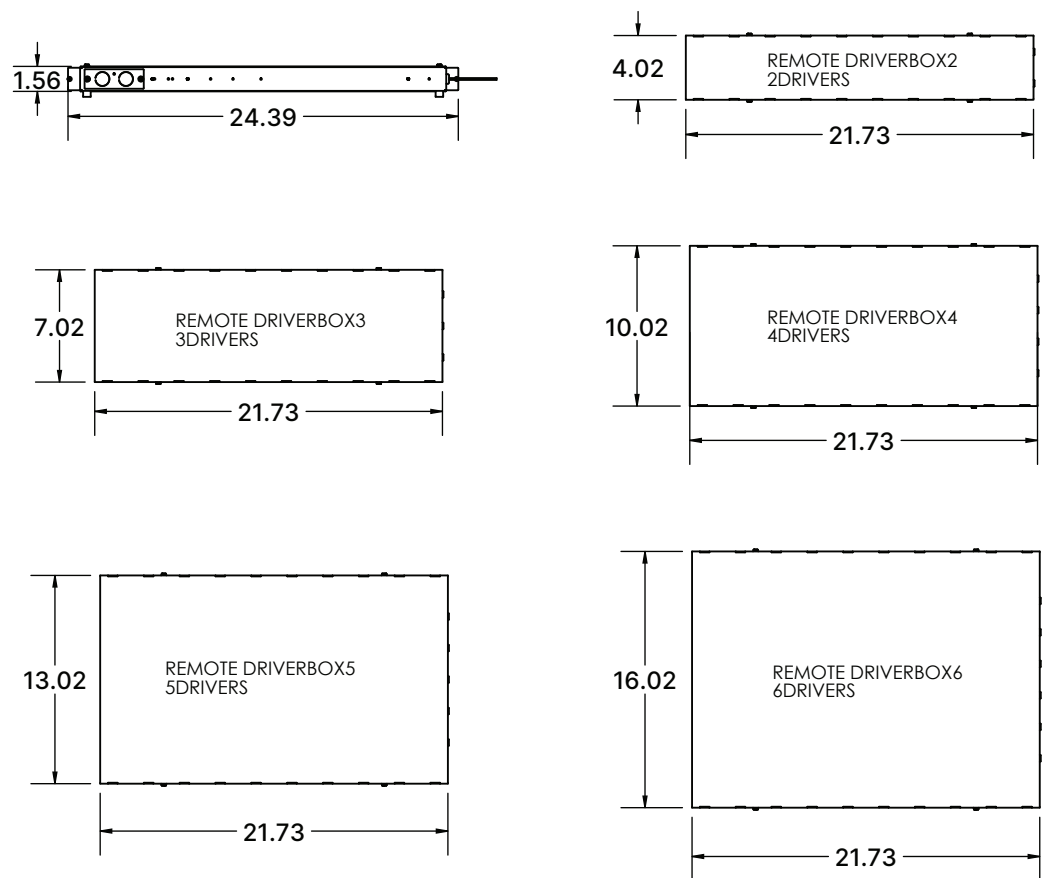


PROPRIETARY AND CONFIDENTIAL : THE INFORMATION CONTAINED IN THIS DRAWING IS THE SOLE PROPERTY OF XICO. ANY REPRODUCTION IN PART OR AS A WHOLE WITHOUT THE WRITTEN PERMISSION OF XICO IS PROHIBITED.

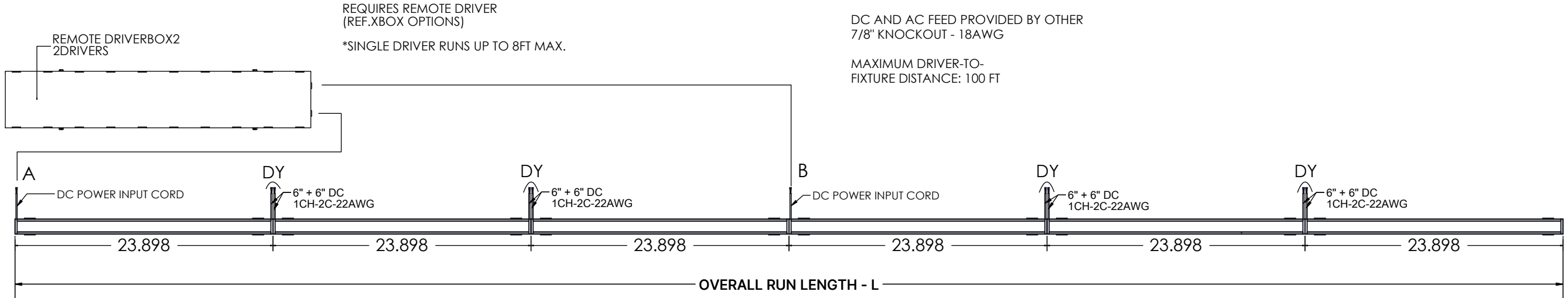
NOTES		SERIES EDGE	PRODUCT NAME EDGERail140	TYPE RAIL	MOUNTING SMC   SMM	LENGTH STD	PRODUCT CODE ERA140-S	
		DWG NUMBER ERA140-S-PROD-TECH	MASTER ASSEMBLY FOA02-30377-02	DATE 08/02/2024	SCALE 1:8	SHEET 1 OF 10	REV A	
<small>19 WHEELING AVENUE   WOBURN, MA 01801   XICOLED.COM</small>								

NOMINAL RUN LENGTH[FT]	OVERALL RUN LENGTH [IN]	RUN LENGTH BREAKDOWN	DRIVER QTY PER RUN
3	36.083	1x[23.898"] + 1x[12.185"]	1
4	47.796	2x[23.898"]	1
5	59.981	2x[23.898"] + 1x[12.185"]	1
6	71.694	3x[23.898"]	1
7	83.879	3x[23.898"] + 1x[12.185"]	1
8	95.592	4x[23.898"]	1
9	107.777	4x[23.898"] + 1x[12.185"]	2
10	119.490	5x[23.898"]	2
11	131.675	5x[23.898"] + 1x[12.185"]	2
12	143.388	6x[23.898"]	2
13	155.573	6x[23.898"] + 1x[12.185"]	2
14	167.286	7x[23.898"]	2
15	179.471	7x[23.898"] + 1x[12.185"]	2
16	191.184	8x[23.898"]	2
17	203.369	8x[23.898"] + 1x[12.185"]	3
18	215.082	9x[23.898"]	3
19	227.267	9x[23.898"] + 1x[12.185"]	3
20	238.98	10x[23.898"]	3
21	251.165	10x[23.898"] + 1x[12.185"]	3
22	262.878	11x[23.898"]	3
23	272.223	11x[23.898"] + 1x[9.345"]	3
24	286.776	12x[23.898"]	3
FORMULA TO CALCULATE LONGER RUNS	OVERALL RUN LENGTH [IN] = INT(NOMINAL/2) × 23.898 + L(R) *WHERE L(R) IS THE REMAINDER LENGTH BASED ON STANDARD FIXTURE SIZES (SEE DISCRETE TABLE).	DRIVER COUNT IS BASED ON DAISYCHAIN CONFIGURATION. IF FIXTURES CANNOT BE DAISY-CHAINED AND REQUIRE INDEPENDENT WIRING, A 1:1 DRIVER-TO-FIXTURE RATIO WILL APPLY	
THESE DIMENSIONS HAVE BEEN CALCULATED ASSUMING A LINEAR RUN WITH NO GAP BETWEEN FIXTURES, WITH FIXTURES INSTALLED END-TO-END. IF FIXTURES ARE INSTALLED WITH SPACING BETWEEN THEM, THIS ADDITIONAL GAP MUST BE TAKEN INTO ACCOUNT			
CUSTOM LONGER RUNS			

**REMOTE DRIVERBOX OPTIONS**



**RUN EXAMPLE**



REQUIRES REMOTE DRIVER (REF.XBOX OPTIONS)  
 \*SINGLE DRIVER RUNS UP TO 8FT MAX.  
 DC AND AC FEED PROVIDED BY OTHER  
 7/8" KNOCKOUT - 18AWG  
 MAXIMUM DRIVER-TO-FIXTURE DISTANCE: 100 FT

PROPRIETARY AND CONFIDENTIAL : THE INFORMATION CONTAINED IN THIS DRAWING IS THE SOLE PROPERTY OF XICO. ANY REPRODUCTION IN PART OR AS A WHOLE WITHOUT THE WRITTEN PERMISSION OF XICO IS PROHIBITED.

NOTES		SERIES EDGE	PRODUCT NAME EDGERail140	TYPE RAIL	MOUNTING SMC   SMM	LENGTH STD RUN	PRODUCT CODE ERA140-S	
		DWG NUMBER ERA140-S-PROD-TECH	MASTER ASSEMBLY FOA02-30377-02	DATE 08/02/2024	SCALE 1:8	SHEET 2 OF 10	REV A	

19 WHEELING AVENUE | WOBURN, MA 01801 | XICOLED.COM