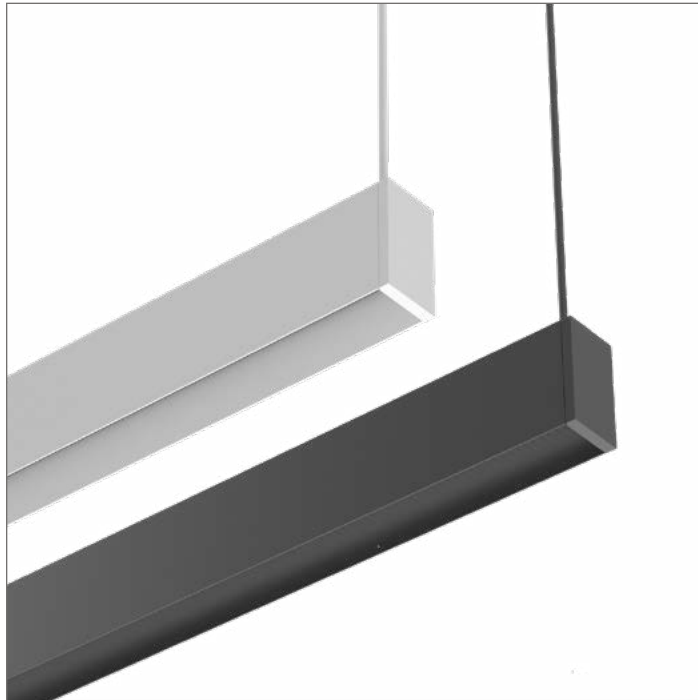


NANOBeam Pendant




Precision Light in Sub 1" Aperture





NANOBeam Pendant

NANOBeam Series

Warnings

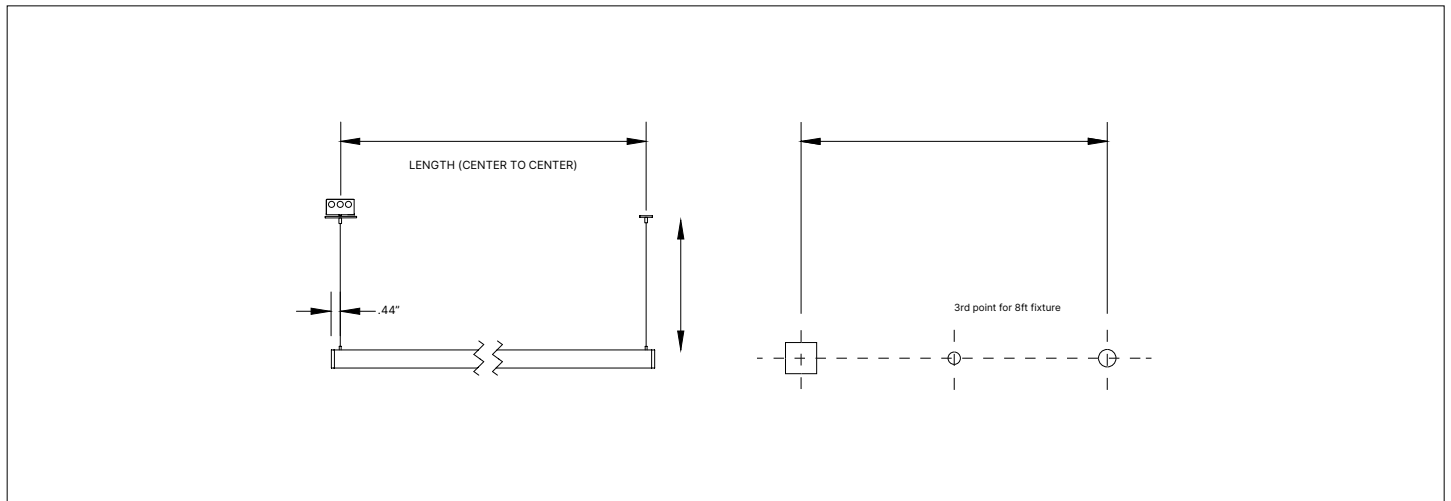
-  Risk of fire and electrical shock
-  Turn off power at breaker
-  Installation requires knowledge of electrical systems and should be installed by a qualified electrician. If not qualified, **DO NOT ATTEMPT INSTALLATION.**

Care Instructions

-  Wipe with a soft cloth only
-  Always avoid using harsh chemicals and/or cleaners

STEP 1 — Hole Location

Mark hole locations on the installation surface matching locations of the mounting hardware. Adjust cables to desired length and cut if needed.



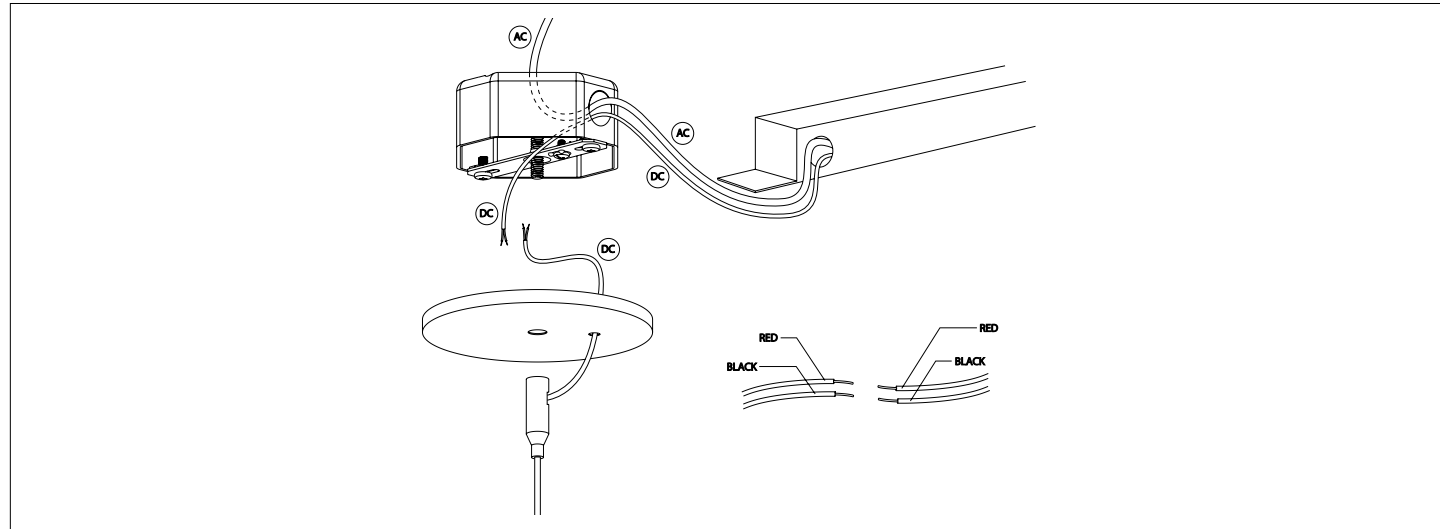
Designed & Built in
BOSTON

Declare



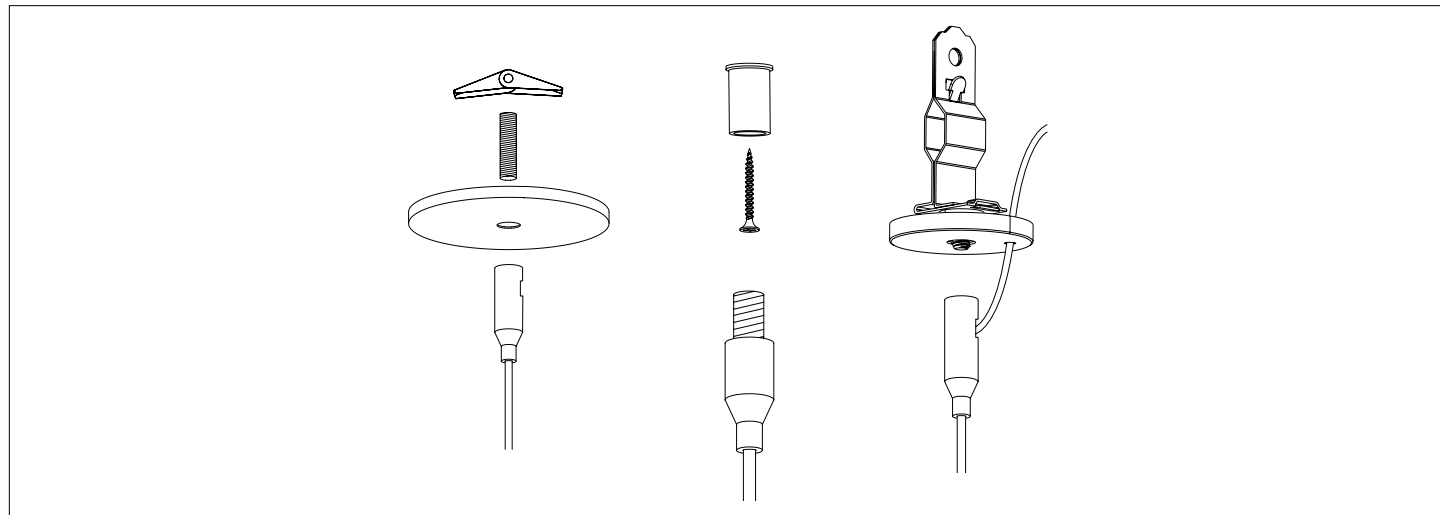
STEP 2 — Install Remote Driver Box

Locate and install the Remote Driver Box. Feed the AC and DC cables to the Junction box. Feed the NANO fixture cables through the Ceiling Gripper/Canopy and connect to the Driver Box. If your fixture has Indirect Light source, choose the correct driver for each power cord. Secure canopy. Refer to the wiring diagram.



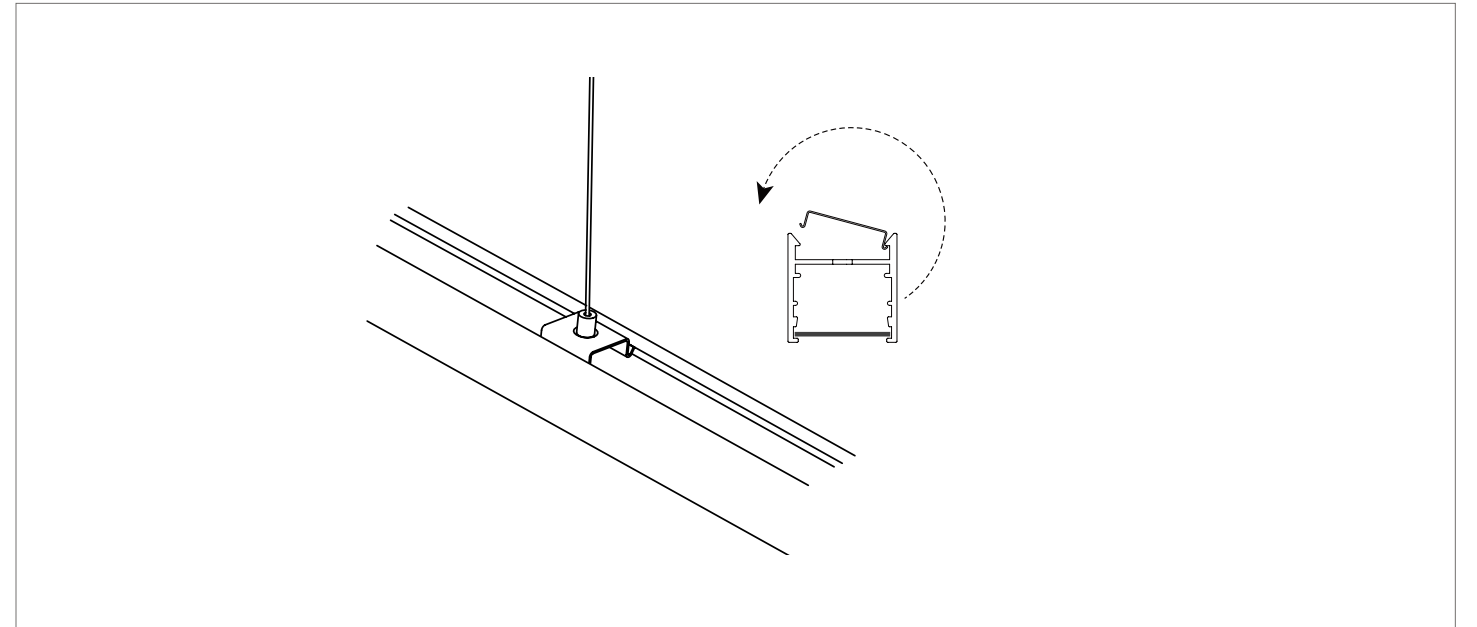
STEP 3 — Fasten Cable

Fasten the fixture's non-power cable to the mounting surface using appropriate hardware.



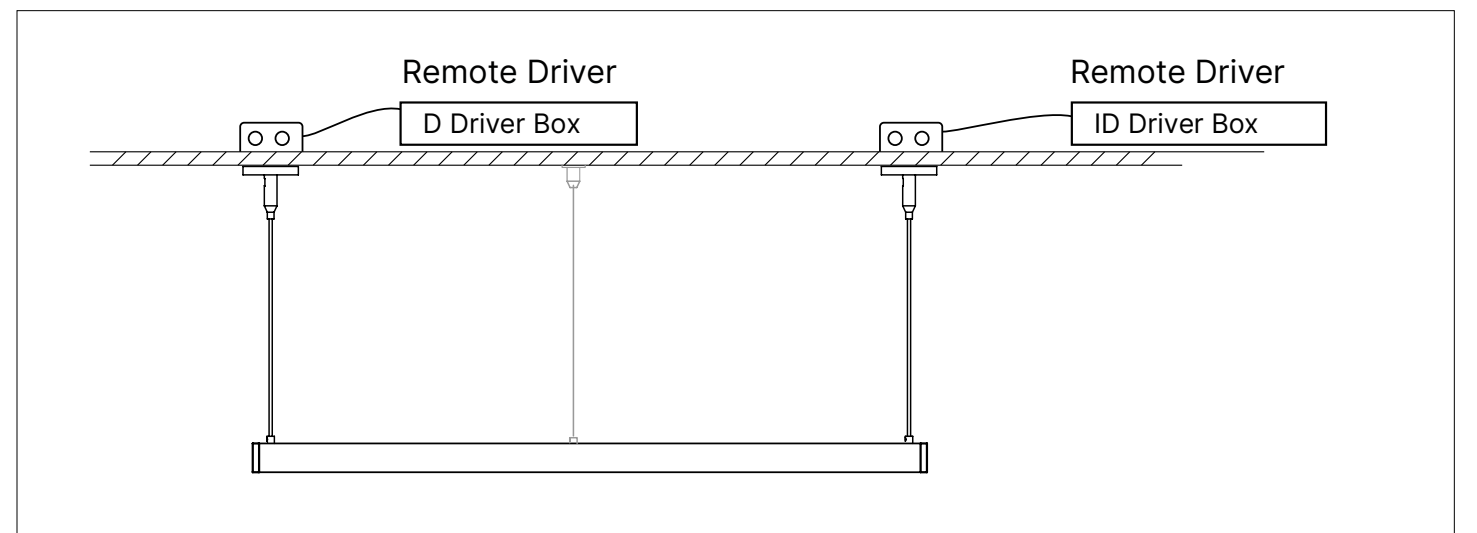
STEP 4 — 8FT NANO Suspension Bracket

For 8ft fixtures, snap center suspension bracket into top channel. Screw coupler or canopy (with toggle bolt) into ceiling and adjust cable to length.



STEP 5 — Final Installation

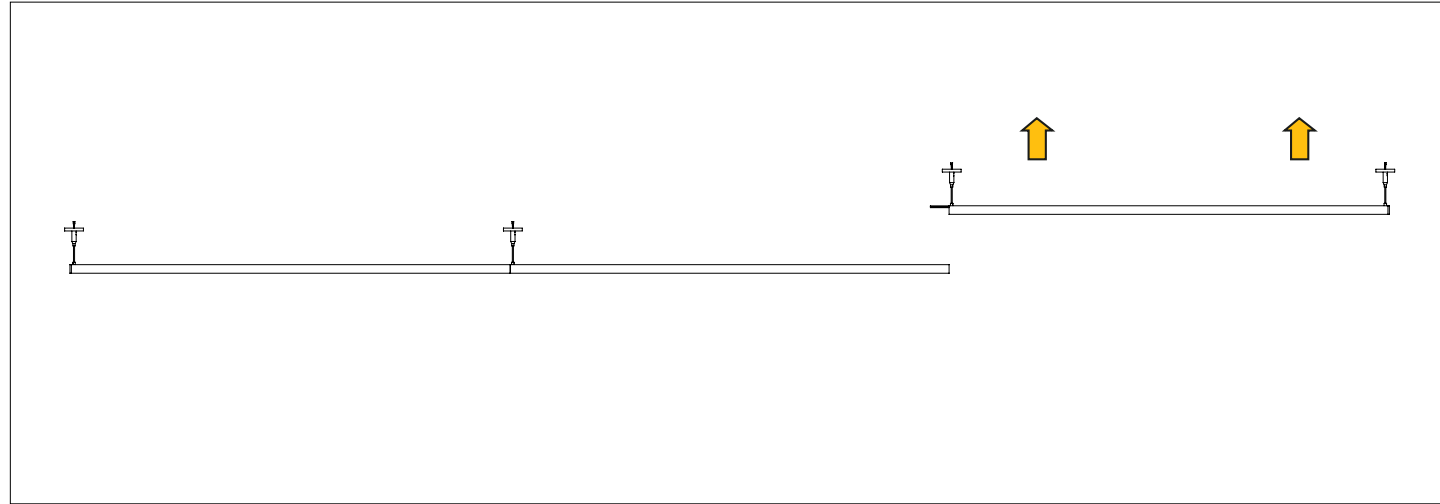
Restore power.



Continuous Run Pendant

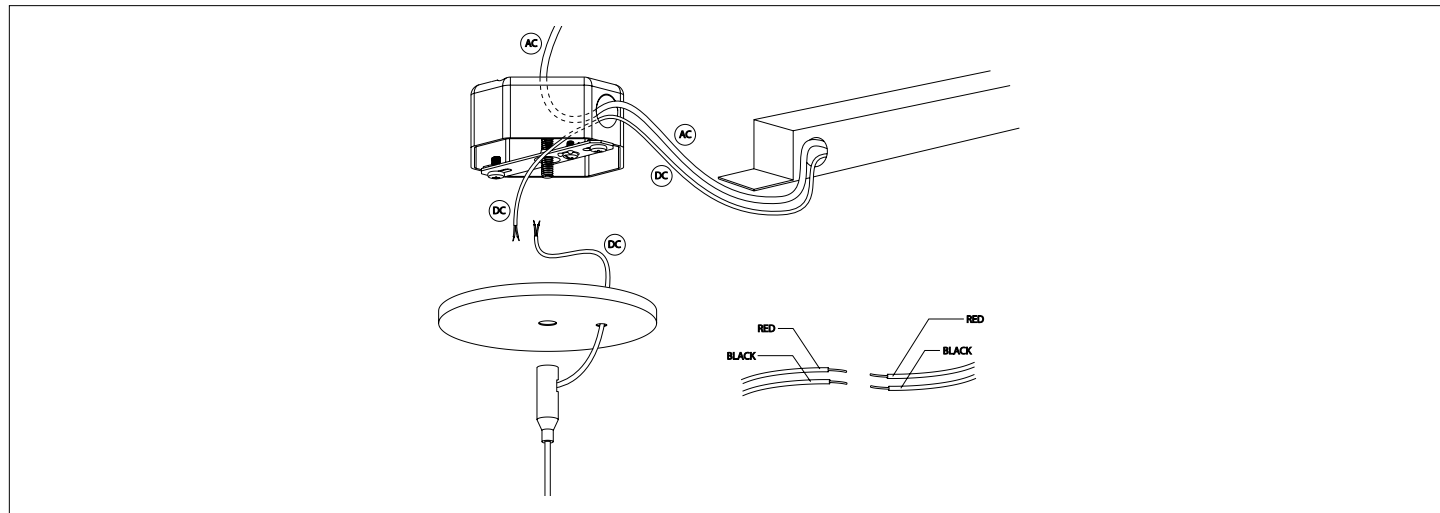
STEP 1 — Hole Location

Mark hole locations on the installation surface matching locations of the mounting hardware. Adjust cables to desired length and cut if needed. The END OF RUN (EOR) housing has (2) mounting points. The fixture should be installed first for the easiest installation process.



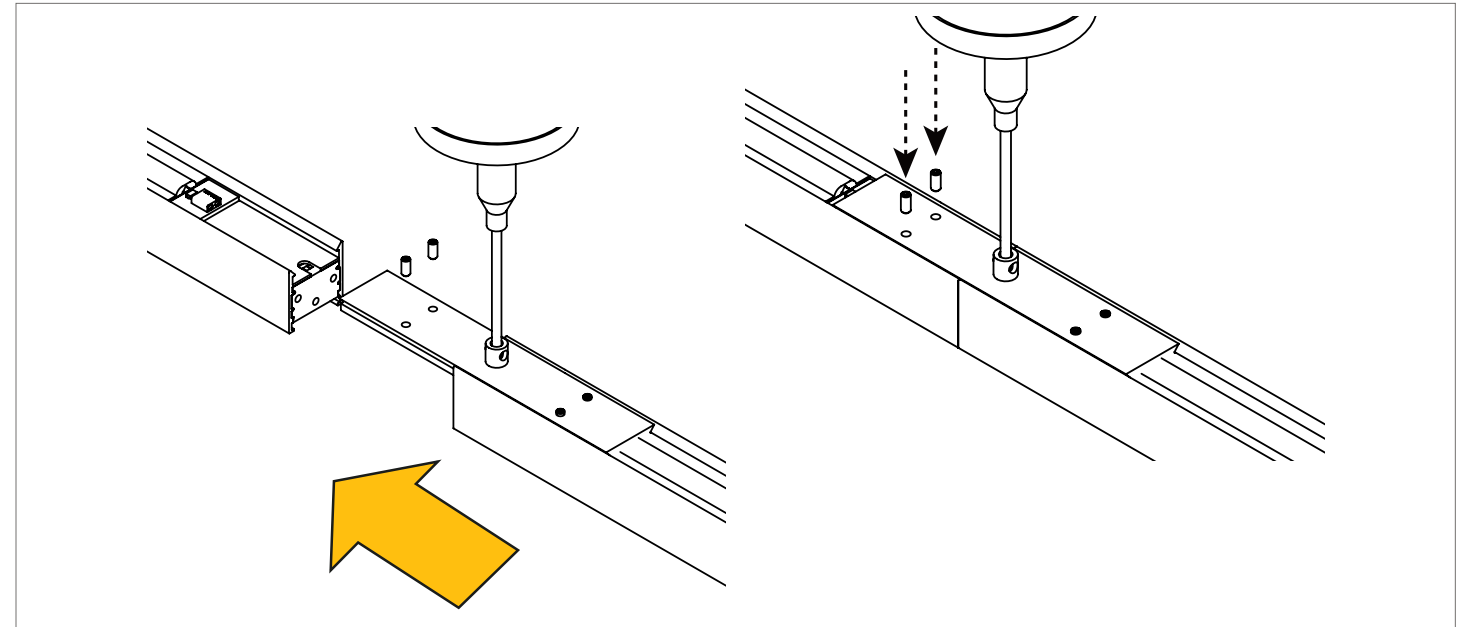
STEP 2 — Secure End of Run

Raise the "EOR" fixture to the ceiling and secure with the cable kit. The open end of the fixture will be connected to power. Refer to the Wiring Diagram.



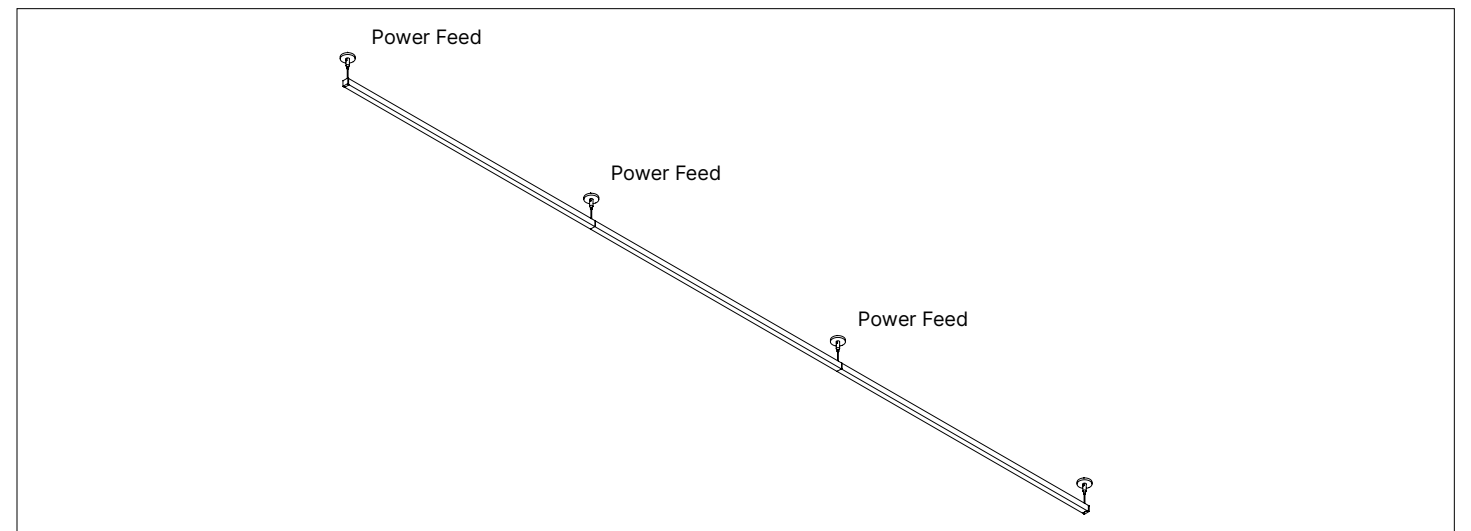
STEP 3 — Fixture Mounting

Fasten the MIDDLE OF RUN (MOR) fixture to the EOR fixture by engaging it into the Joiner Bracket. Lightly engage (1) Set Screw if needed. Secure the Power End of the fixture to the ceiling (Ref Step 2). Tighten the Set Screws in the joiner.



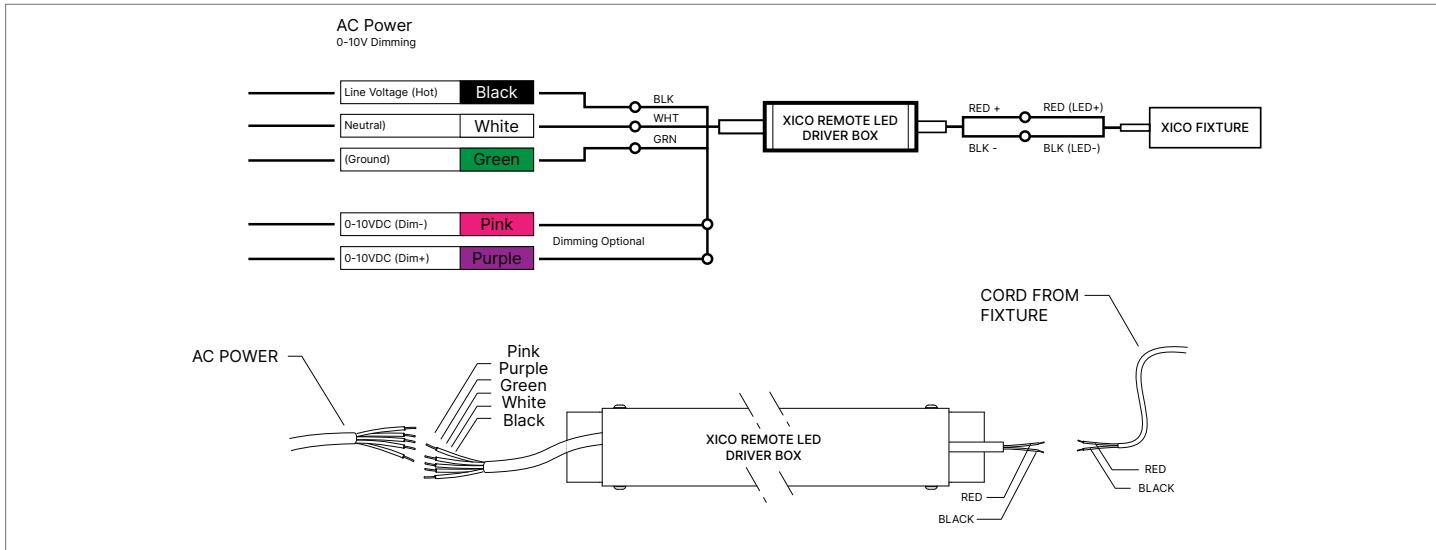
STEP 4 — Final Product

Repeat previous steps depending on the number of fixtures in your assembly. Install the Remote Drivers as needed for your specific fixture assembly and installation space. Refer to the Wiring Diagram.



Wiring Guide

Wire the Power Feed End to the J-Box and secure the Canopy to the J-Box or Power Source.



Voltage Drop
24 VDC and Wire Length Chart
(Driver to Fixture)

XICO LED Fixture with Remote Drivers

When installing a XICO fixture with a remote driver and the distance is a long way from the fixture, it is important to properly specify the correct wire gauge (AWG/ or thickness of wire) for the distance of wire required. The maximum remote mounting distance is a function of the total voltage-drop across the output of the LED Driver.

How to Use the Chart

- Step 1:** Calculate the total wattage of the LED lighting system (round up to the nearest 10 W).
- Step 2:** Find the wattage in the top row and follow the column down to maximum length (round up) of wiring between the LEDs and the power supply.
- Step 3:** Look to the left column for the wire gauge size required to prevent voltage drop over 3%.

Maximum Cable Length from Remote Driver to Fixture — 24 VDC Driver										
Wire Gauge	Total Fixture Wattage (W)									
	10 W	20 W	30 W	40 W	50 W	60 W	70 W	80 W	90 W	100 W
18 AWG	134 ft	68 ft	45 ft	33 ft	27 ft	22 ft	19 ft	17 ft	15 ft	14 ft
16 AWG	215 ft	109 ft	72 ft	54 ft	43 ft	36 ft	31 ft	27 ft	24 ft	22 ft
14 AWG	345 ft	174 ft	115 ft	86 ft	69 ft	57 ft	49 ft	43 ft	39 ft	36 ft
12 AWG	539 ft	272 ft	181 ft	135 ft	108 ft	90 ft	77 ft	68 ft	62 ft	56 ft
10 AWG	784 ft	397 ft	263 ft	197 ft	158 ft	131 ft	112 ft	98 ft	95 ft	82 ft

Remote Driver to Fixture Example

- Calculate total load**
An 8 ft fixture using 4 W/ft requires a total of 32 W. Round up to the nearest load of 40 W.
- Find distance from driver to Load**
Let's assume the distance is 40 ft from the driver to the fixture. Round up to the nearest distance of 54 ft.
- Choose wire gauge**
It's recommended to install 16 AWG wire between the driver and fixture to eliminate noticeable voltage drop.