

NANOCOVE

Indirect | Standard Lengths



Project Name _____

Fixture Type _____



Remote Driver

DESCRIPTION

0.80" Low-Profile Linear LED Cove Mount

Part of the innovative NANO family, the NANOCove is an ultra-slim, sub-1" linear LED providing best-in-class efficiency and beam control. It offers five indirect distributions and an adjustable mounting bracket for maximum design precision. Specification-grade and fully customizable, it features high-lumen, high-CRI, and circadian options. Surface-mounted with a remote driver, it supports daisy-chain configurations.

FEATURES & BENEFITS

Incredible Size, Exceptional Performance

Less than 1" square, Up to 1,000 lm/ft, 150 lm/W efficacy

Wide Range of LED Selections

Static, Tunable White, and Dim-to-Warm. 80/90/95+ CRI, 2700K to 6500K CCT

DC Power Input with Dimming & Control Options

DC input requiring remote driver (110V-277V) with wide range of control options including 0-10V, DALI, DMX, and TRIAC dimming

Patented Innovations

Fusion Optix® Inside with unique SmartBeam® capabilities

Proprietary Optical Components

Provides excellent light distribution and high-transmission

Committed to Made-in-USA & Sustainability

Designed & built in Boston MA, Declare Listed and Red Free List materials

Compliance

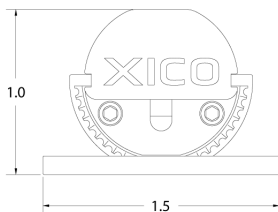
UL Listed, Dry and Damp Locations

5-Year Warranty

Standard 5-year warranty, 50,000 hours

LIGHTING CONFIGURATIONS

Indirect



Designed & Built in
BOSTON

FIXTURE ORDERING

Project Name _____ Fixture Type _____

1) FIXTURE DESIGN		
PRODUCT	FIXTURE LENGTH	FINISH
NCV95 0.95" Low-Profile Linear LED Cove Mount with Remote DC Driver for Indirect Lighting	1 - 1 ft 2 - 2 ft 3 - 3 ft 4 - 4 ft X_ - Specify Ft', In"	PMW - Matte White
	Custom fixtures are available in 3" increments beyond standard lengths	

2) LED LIGHT ENGINE				
CRI	CCT	INDIRECT OPTIC	INDIRECT BEAM PATTERN	INDIRECT OUTPUT
80 - Std. 80 CRI 90 - Std. 90 CRI 95 - High-Def. 95 CRI	27 - 2700K 30 - 3000K 35 - 3500K 40 - 4000K XD - Dim-to-Warm XT - Tunable X_ - Specify CCT Specify Dim-to-Warm and Tunable between 2700K-6500K	CO - Cosine® Optic	ILAM - Lambertian IBW120 - Batwing120° IFT150 - FlatTop 150° IA6040 - Asym 60° at 40° Tilt IA4560 - Asym 45° at 60° Tilt X_ - Specify Beam ¹	35 - 350 lm/ft 50 - 500 lm/ft 75 - 750 lm/ft 100 - 1,000 lm/ft X_ - Specify lm/ft
		DO - Dome Lens Optic	ILAM - Lambertian	

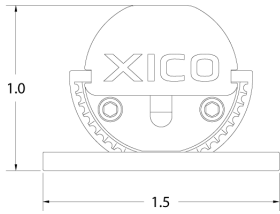
3) POWER & CONTROLS		4) CONNECTIONS	
LINE VOLTAGE (DC)	REMOTE DRIVER (POWER)	Daisy Chain	POWER INPUT CORD
UNV - 120/277V 347 - 347V	FDND - Factory Non-Dimming FD00 - Factory 0-10V 0.1% Dim FD01 - Factory 0-10V 1% Dim FD10 - Factory 0-10V 10% Dim FDDA - Factory DALI 0.1% Dim FDDX - Factory DMX Dim FDTR - Factory TRIAC Dim LD01 - Lutron Hi-Lume 1% Dim X_ - Specify Driver	DN - No: Daisy Chain DY - Yes: Daisy Chain Select DY if you are joining multiple fixtures together in a row	EC6W - 6" White Extension Cable EC12W - 12" White Extension Cable EC24W - 24" White Extension Cable EC48W - 48" White Extension Cable

OPTIONAL	
EMERGENCY BACKUP	WIRELESS MODULE
EMC - Emergency Circuit EMB - Emergency Battery (10 W — Remote) X_ - Specify Backup Specify requirements at time of order.	WCN - Wireless Communication Node (Connected to LED Driver In-Fixture or In-Driver Box) PIR - Wireless Communication Node + PIR Sensor (Standard Lens for Low Bay < 10') MW - Wireless Communication Node + MW Sensor (Standard for Low Bay < 10') X_ - Other - Specify Embedded Component or Specific Non-Standard Sensor Detection Range

Footnotes: ¹ Contact factory about custom beam options. ² Standard driver box is included.

DIMENSIONS & INSTALLATION

Dimensions



Standard Lengths



Nominal Lengths

Mounting Type

Cove Mount

Installs into a cove. Available with a range of accessories, mounts and inserts that provide easy customization of visual appearance and performance enhancements

Accessories (Sold Separately)

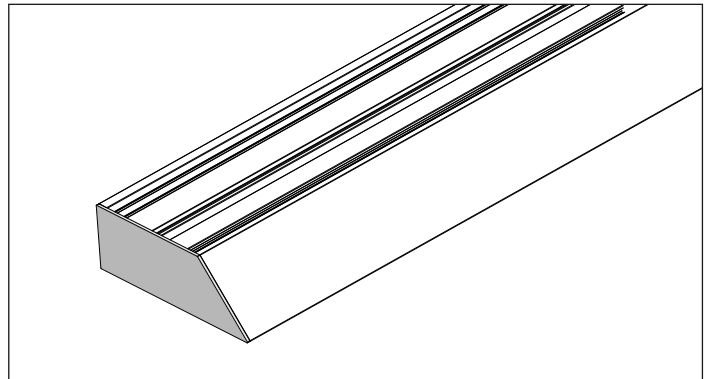
Available with a range of accessories sold separately that provide easy customization of visual appearance and performance enhancements.

Cove Detail



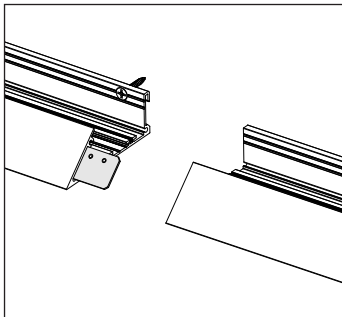
KEP35 - 3.5" Knife Edge Cove Detail

End Caps

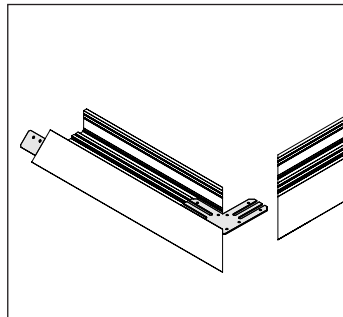


ECR & ECL - Left & Right End Caps

Joiner / Connectors



JB - Joiner Bracket

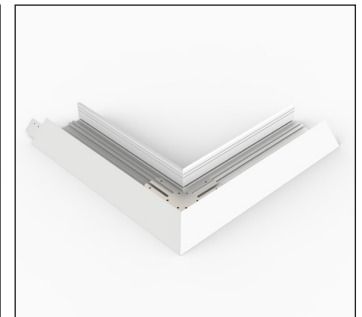


CB - Corner Bracket

Corners



IC - Inside Corner



OC - Outside Corner

SMARTBEAM® TECHNOLOGY

The Ultimate Control of Lighting Distributions

SmartBeam makes it easy to specify the exact light required for any architectural space. Available in every XICO product; it is now possible to create truly tailored and engaging lighting that transform spaces, improves visual comfort, and saves energy.

To learn more about our SmartBeam Technology, please click or scan the QR Code.



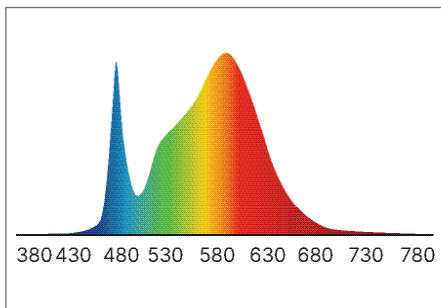
Direct Optics Choices

DIRECT OPTICS	BEAM PATTERN				
	ILAM	IBW120	IFT150	IA6040	IA4560
Cosine Optic	■	■	■	■	■
Dome Lens Optic	■				

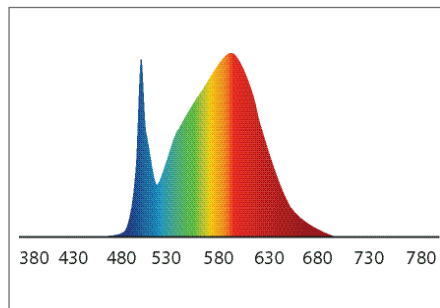
LPW Performance

	DIRECT				
	ILAM	IBW120	IFT150	IA6040	IA4560
LM/W	150	156	143	143	143

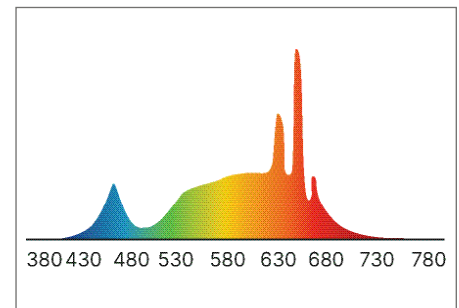
80: Standard 80+ CRI



90: Standard 90+ CRI



95: High-Definition 95+CRI



CODE	DESCRIPTION	TYPICAL LED DATA							
		CCT	CRI	CRI R9	TM30 Rf	TM30 Rg	CQS	M/P Ratio	LPW
80	Standard 80 CRI	3500K	82.5	7.8	84	96.7	82.5	0.51	190
90	Standard 90 CRI	3500K	91	54.3	89.3	98.9	89.2	0.55	175
95	High Definition 95 CRI	3500K	97.1	95	-	-	-	0.70	163

LPW Efficacy Conversion Chart

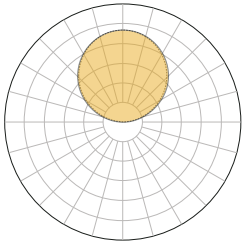
CODE	CCT SELECTED							
	2200K	2700K	3000K	3500K	4000K	5000K	5700K	6500K
80	-	0.91	0.96	1.00	1.04	1.11	1.11	1.11
90	-	0.91	0.96	1.00	1.04	1.11	1.11	1.11
95	-	0.91	0.96	1.00	1.04	1.11	1.03	1.04

INDIRECT PHOTOMETRICS

48" Length, 80+/3500K CRI/CCT, 4,000 Lumens

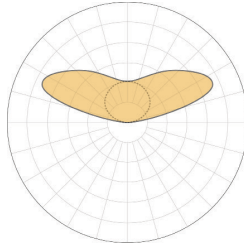
Static White Light

ILAM: Lambertian



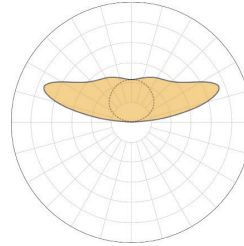
LM/FT	W/FT	LM/W
350	2.3	152.2
500	3.4	147.1
750	5.0	150
1,000	6.7	150

IBW120: Batwing 120°



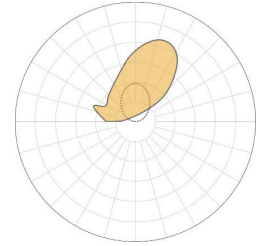
LM/FT	W/FT	LM/W
350	2.2	159.1
500	3.2	156.3
750	4.8	156.3
1,000	6.4	156

IFT150: FlatTop 150°



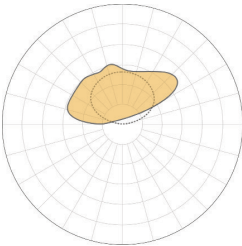
LM/FT	W/FT	LM/W
350	2.5	143
500	3.5	142.9
750	5.3	141.5
1,000	7	143

IA6040: Asymmetric 60° at 40° Tilt



LM/FT	W/FT	LM/W
350	2.5	143
500	3.5	142.9
750	5.3	141.5
1,000	7	143

IA4560: Asymmetric 45° at 60° Tilt



LM/FT	W/FT	LM/W
350	2.5	143
500	3.5	142.9
750	5.3	141.5
1,000	7	143

POWER & CONTROLS

Voltage

Fixture Voltage (AC)

120-277 VAC
347 VAC, 50/60 Hz

Power Location

Remote

LED Driver

Factory Selected, 36-39V Constant Current

Drivers

- FDND** - Factory Non-Dimming
- FD00** - Factory 0-10V 0.1% Dim
- FD01** - Factory 0-10V 1% Dim
- FD10** - Factory 0-10V 10% Dim
- FDDA** - Factory DALI 0.1% Dim
- FDDX** - Factory DMX Dim
- FDTR** - Factory TRIAC Dim
- LD01** - Lutron Hi-Lume 1% Dim
- X_** - Specify Driver

Emergency Backup (Optional)

- EMC** - Emergency Circuit
- EMB** - Emergency Battery
(10 W — Remote)
- X_** - Specify Backup

Power

10 W

Illumination Time

90 minutes

IP Rating

Suitable for Dry and Damp Locations, indoor use only

XBox

Remote Driver Boxes (Optional)

To create a clean and organized power solution for multiple fixture installations see our XBox Specification Guide. Reach out to a XICO Sales Representative to discuss your projects needs.

Compatible Control Options



