

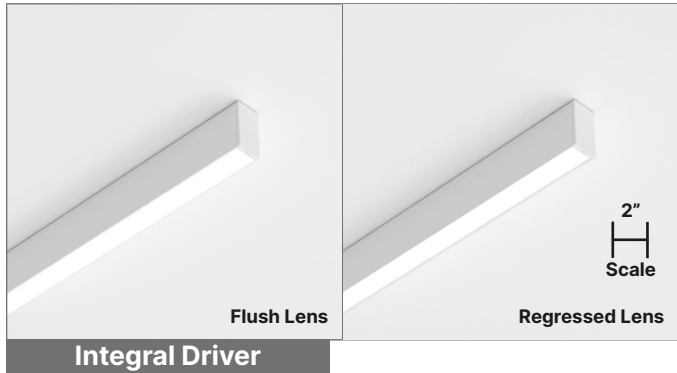
# PROBeam2 Surface

Direct | Standard Lengths



Project Name \_\_\_\_\_

Fixture Type \_\_\_\_\_

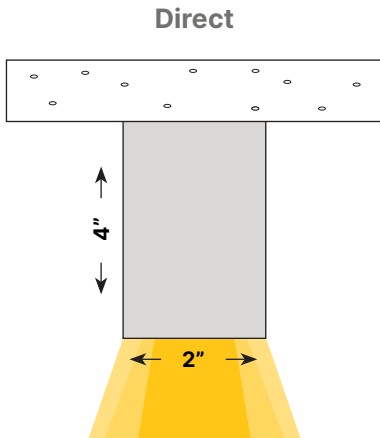


## DESCRIPTION

### 2" High-Performance Linear LED Surface Mount

PROBeam2 Surface brings SmartBeam® capabilities to a 2" form factor with an integral driver providing best-in-class efficiency and beam control options. PROBeam2 Surface is designed to be specification grade with a wide range of beam options, high CRI, and circadian options. The 2" aperture delivers comfortable illumination in a wide range of beam distributions while achieving high efficacy, and energy-saving performance. PROBeam2 Surface also comes with a range of accessories, mounting options, and finishes that provide an easy route to customization and performance enhancements.

## LIGHTING CONFIGURATIONS



## FEATURES & BENEFITS

### Exceptional Performance

Up to 1,500 lm/ft, 150 lm/W efficacy

### Wide Range of LED Selections

Static, Tunable White, and Dim-to-Warm

### Designed with Options

Wide choice of SmartOptic® lenses, beam distributions, 80/90/95+ CRI, 2700K to 6500K CCT, and 0-10V, DALI, DMX, and TRIAC dimming

### Patented Innovations

Fusion® Optix Inside with unique SmartBeam® capabilities

### Proprietary Optical Components

Provides excellent light distribution and high-transmission

### Committed to Sustainability

Declare Listed and Red Free List materials

### Compliance

UL Listed, Dry and Damp Locations

### 5-Year Warranty

Standard 5-year warranty, 50,000 hours



## FIXTURE ORDERING

Project Name \_\_\_\_\_ Fixture Type \_\_\_\_\_

### 1) FIXTURE DESIGN

PRODUCT	FIXTURE LENGTH	FINISH	END CAP STYLE
<b>PBE2-S</b> 2" High-Performance Linear LED Surface Mount	<b>2</b> - 2 ft <b>4</b> - 4 ft <b>6</b> - 6 ft <b>8</b> - 8 ft <b>X_</b> - Specify Ft', In"	<b>Powder Coated</b> <b>PMW</b> - Matte White <b>PMB</b> - Matte Black <b>PMG</b> - Matte Gray <b>PRAL_</b> - Specify RAL #	<b>E1</b> - Flat End Cap
	Custom fixtures are available in 3" increments beyond standard lengths.	<b>Anodized</b> <b>ACL</b> - Clear Anodized <b>ACU_</b> - Custom Anodized #	

### 2) LED LIGHT ENGINE

CRI	CCT	OPTIC (DIRECT ONLY)	DIRECT BEAM PATTERN	DIRECT OUTPUT
<b>80</b> - Std. 80 CRI <b>90</b> - Std. 90 CRI <b>95</b> - High-Def. 95 CRI <b>SUN</b> - Full SunLike	<b>27</b> - 2700K <b>30</b> - 3000K <b>35</b> - 3500K <b>40</b> - 4000K <b>XD</b> - Dim-to-Warm <b>XT</b> - Tunable <b>X_</b> - Specify CCT  Specify Dim-to-Warm and Tunable between 2700K-6500K.	<b>OFL</b> - Flush Lens <b>ORL</b> - Regressed Lens <b>OCRL</b> - Continuous Regressed Lens <sup>1</sup>	<b>DLAM</b> - Lambertian <b>DBW60</b> - Batwing 60° <b>DDA70</b> - Double Asym 70° <b>DA5025</b> - Asym 50° at 25° Tilt <b>DA4005</b> - Asym 40° at 5° Tilt <b>DM55</b> - Medium 55° <b>DN40</b> - Narrow 40° <b>X_</b> - Specify Beam <sup>2</sup>	<b>35</b> - 350 lm/ft <b>50</b> - 500 lm/ft <b>75</b> - 750 lm/ft <b>100</b> - 1,000 lm/ft <b>X_</b> - Specify lm/ft

### 3) FIXTURE POWER & CONTROLS

LINE VOLTAGE (DC)	INTEGRAL DRIVER (POWER) <sup>3</sup>
<b>UNV</b> - 120/277V <b>347</b> - 347V	<b>FDND</b> - Factory Non-Dimming <b>FD00</b> - Factory 0-10V 0.1% Dim <b>FD01</b> - Factory 0-10V 1% Dim <b>FD10</b> - Factory 0-10V 10% Dim <b>FDDA</b> - Factory DALI 0.1% Dim <b>FDDX</b> - Factory DMX Dim <b>FDTR</b> - Factory TRIAC Dim <b>LD01</b> - Lutron Hi-Lume 1% Dim <b>X_</b> - Specify Driver

Footnotes: <sup>1</sup>Continuous Regressed Lens ships on a roll for seamless lens installation. <sup>2</sup>Contact factory about custom beam options. <sup>3</sup>Standard driver box is included

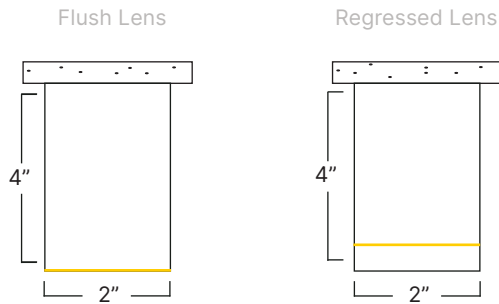
### 4) FIXTURE MOUNTING & CONNECTIONS

MOUNTING TYPE	MOUNTING KIT
<b>SC1</b> - Surface Mount Clip <b>TC1</b> - 9/16" Flat T-Bar Mount <b>TC2</b> - 9/16" Bolt Slot T-Bar Mount <b>TC3</b> - 15/16" Flat T-Bar Mount  TC1, TC2 and TC3 clips directly to grid t-bar.	<b>SSMB</b> - Stainless Steel Surface Mounting Bracket

OPTIONAL	
EMERGENCY BACKUP	WIRELESS MODULE
<p><b>EMC</b> - Emergency Circuit  <b>EMB</b> - Emergency Battery (10 W — Remote)  <b>X_</b> - Specify Backup</p> <p>Specify requirements at time of order.</p>	<p><b>WCN</b> - Wireless Communication Node (Connected to LED Driver In-Fixture or In-Driver Box)  <b>PIR</b> - Wireless Communication Node + PIR Sensor (Standard Lens for Low Bay &lt; 10')  <b>MW</b> - Wireless Communication Node + MW Sensor (Standard for Low Bay &lt; 10')  <b>X_</b> - Other – Specify Embedded Component or Specific Non-Standard Sensor Detection Range</p>

## DIMENSIONS & INSTALLATION

### Dimensions



### Standard Fixtures

2ft	23.05" / 23.4"
4ft	47.05" / 47.4"
6ft	71.05" / 71.4"
8ft	95.05" / 95.4"

Lens Length / Fixture Length

### Mounting Type

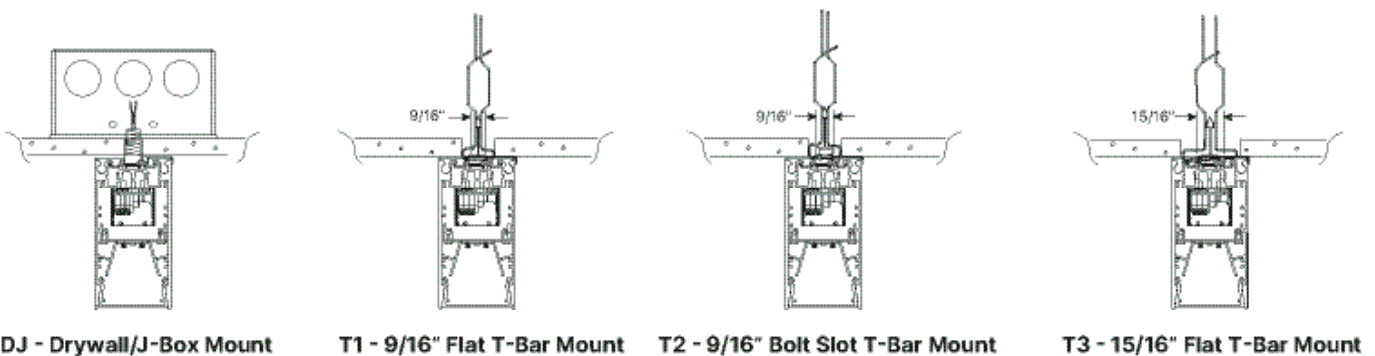
#### T-Bar Mount

Installs into a ceiling grid system and mount on to, or replace, typical T-Bar elements. Available with a range of accessories, mounts and inserts that provide easy customization of visual appearance and performance enhancements.

#### Surface Mount

Installs onto a surface. Available with a range of accessories, mounts and inserts that provide easy customization of visual appearance and performance enhancements.

### Mounting Type



## SMARTBEAM® TECHNOLOGY

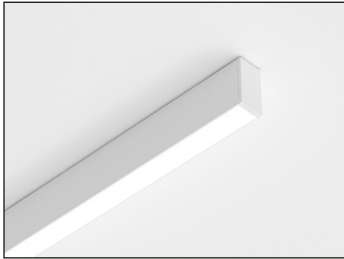
### The Ultimate Control of Lighting Distributions

SmartBeam makes it easy to specify the exact light required for any architectural space. Available in every XICO product; it is now possible to create truly tailored and engaging lighting that transform spaces, improves visual comfort, and saves energy.

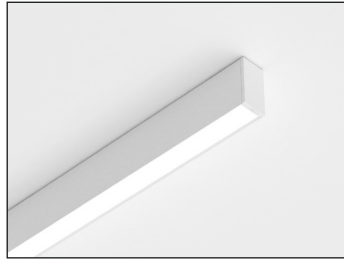
To learn more about our SmartBeam Technology, please click or scan the QR Code.



### Direct Optics Choices



FL - Flush Lens



RL - Regressed Lens

DIRECT OPTICS	BEAM PATTERN						
	DLAM	DBW60	DDA70	DA5025	DA4005	DM55	DN40
Flush Lens	■	■	■	■	■	■	■
Regressed Lens	■	■	■	■	■	■	■

### LPW Efficacy Conversion Chart

CODE	CCT SELECTED							
	2200K	2700K	3000K	3500K	4000K	5000K	5700K	6500K
80	-	0.91	0.96	1.00	1.04	1.11	1.11	1.11
90	-	0.91	0.96	1.00	1.04	1.11	1.11	1.11
95	-	0.91	0.96	1.00	1.04	1.11	1.03	1.04
SUN	-	0.90	0.92	1.00	1.01	1.07	1.04	1.05

### LPW Performance

	DIRECT						
	DLAM	DBW60	DDA70	DA5025	DA4005	DM55	DN40
LM/W	142	145	138	143	139	137	136

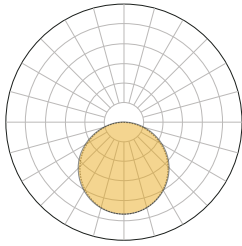
$$LM/W = \frac{\left( \begin{matrix} \text{DIRECT} \\ \text{LM/FT} \end{matrix} + \begin{matrix} \text{INDIRECT} \\ \text{LM/FT} \end{matrix} \right)}{\left( \begin{matrix} \text{DIRECT} \\ \text{W/FT} \end{matrix} + \begin{matrix} \text{INDIRECT} \\ \text{W/FT} \end{matrix} \right)}$$

## DIRECT PHOTOMETRICS

48" Length, 80+/3500K CRI/CCT, 3,000 Lumens

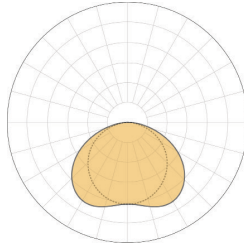
Static White Light

**DLAM:** Lambertian



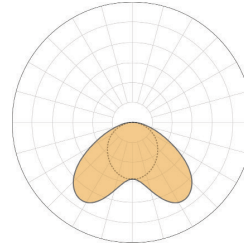
LM/FT	W/FT	LM/W
350	2.5	140
500	3.5	143
750	5.3	142
1000	7.0	143

**DBW60:** Batwing 60°



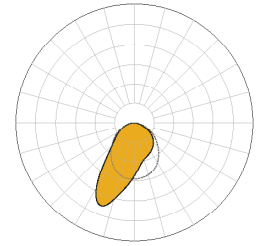
LM/FT	W/FT	LM/W
350	2.4	145.8
500	3.5	143
750	5.2	145
1000	6.9	144.9

**DDA70:** Double Asymmetric 70°



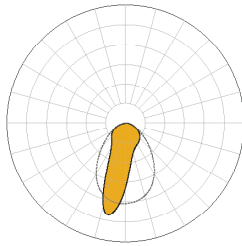
LM/FT	W/FT	LM/W
350	2.5	140
500	3.6	138.9
750	5.4	138
1000	7.2	138.9

**DA5025:** Asymmetric 50° at 25° Tilt



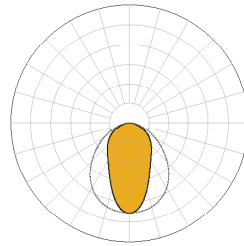
LM/FT	W/FT	LM/W
350	2.4	145.8
500	3.5	142.9
750	5.2	143
1000	6.9	144.9

**DA4005:** Asymmetric 40° at 5° Tilt



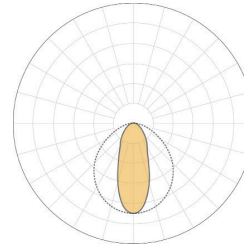
LM/FT	W/FT	LM/W
350	2.5	140
500	3.6	138.9
750	5.4	139
1000	7.2	138.9

**DM55:** Medium 55°



LM/FT	W/FT	LM/W
350	2.6	134.6
500	3.7	135.1
750	5.5	137
1000	7.3	137

**DN40:** Narrow 40°



LM/FT	W/FT	LM/W
350	2.6	134.6
500	3.7	135.1
750	5.5	136
1000	7.3	137

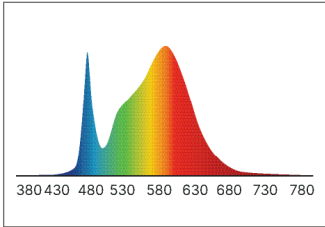
COMPATIBLE OPTIC	
FLUSH LENS	REGRESSED LENS

## OPTICS CONFIGURATIONS

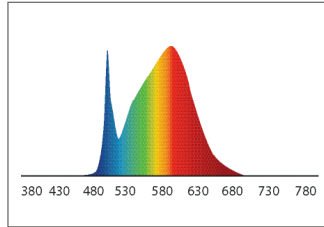
Flush Lens	Regressed Lens	Continuous Regressed Lens
White Flush Lens <b>OFL</b>	White Regressed Lens <b>ORL</b>	White Regressed Lens <b>OCRL</b>

LED OPTIONS

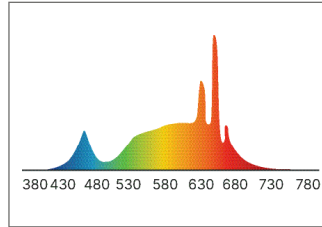
80: Standard 80+ CRI



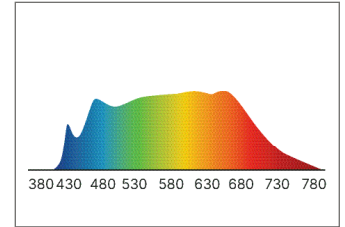
90: Standard 90+ CRI



95: High-Definition 95+CRI



SUN: Full Spectrum "SunLike"



CODE	DESCRIPTION	TYPICAL LED DATA							
		CCT	CRI	CRI R9	TM30 Rf	TM30 Rg	CQS	M/P Ratio	LPW
80	Standard 80 CRI	3500K	82.5	7.8	84	96.7	82.5	0.51	190
90	Standard 90 CRI	3500K	91	54.3	89.3	98.9	89.2	0.55	175
95	High Definition 95 CRI	3500K	97.1	95	-	-	-	0.70	163
SUN	Full Spectrum SunLike®	3500K	95	85	-	-	-	-	130

## POWER & CONTROLS

### Voltage

#### Fixture Voltage (AC)

120–277 VAC  
347 VAC, 50/60 Hz

#### Power Location

Integral

#### LED Driver

Factory Selected, 36–39V Constant Current

### Drivers

**FDND** - Factory Non-Dimming  
**FD00** - Factory 0-10V 0.1% Dim  
**FD01** - Factory 0-10V 1% Dim  
**FD10** - Factory 0-10V 10% Dim  
**FDDA** - Factory DALI 0.1% Dim  
**FDDX** - Factory DMX Dim  
**FDTR** - Factory TRIAC Dim  
**LD01** - Lutron Hi-Lume 1% Dim  
**X\_** - Specify Driver

### Emergency Backup (Optional)

**EMC** - Emergency Circuit  
**EMB** - Emergency Battery  
(10 W — Remote)  
**X\_** - Specify Backup

#### Power

10 W

#### Illumination Time

90 minutes

#### IP Rating

Suitable for Dry and Damp Locations,  
indoor use only

### XBox

#### Remote Driver Boxes (Optional)

To create a clean and organized power solution for multiple fixture installations see our Xbox Specification Guide. Reach out to a XICO Sales Representative to discuss your project's needs.

### Compatible Control Options



