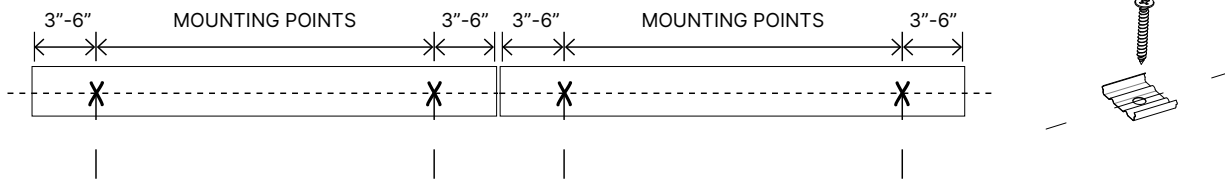


Surface Mount

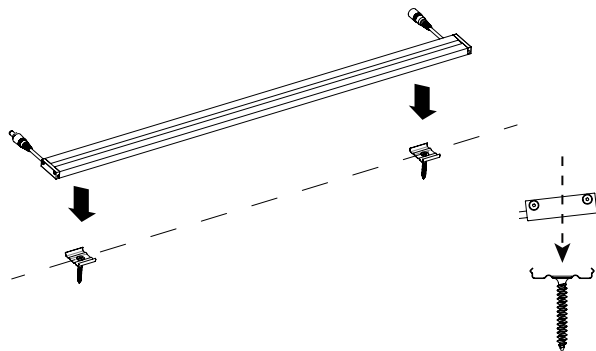
What to Know

Risk of fire and electrical shock. Installation requires knowledge of electrical systems and should be installed by a qualified electrician. If not qualified, **DO NOT ATTEMPT INSTALLATION.**

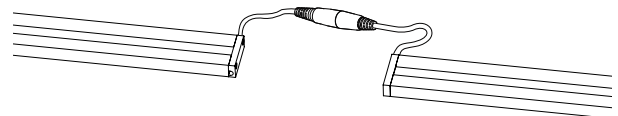
- 1 Mark a centerline on the installation surface and fasten the Mounting Clips with the appropriate hardware. The fixture can be mounted anywhere along the fixture body to meet your installation surface needs. A general guide for mounting positions is shown here.



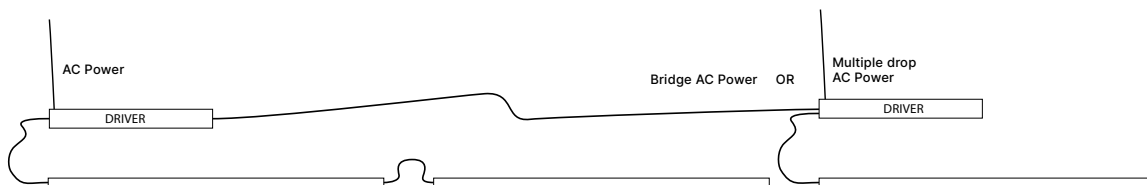
- 2 Snap the fixture onto the Mounting Clips. A slight angle may help engage the clip.



- 3 Join fixtures with quick connects



- 4 Locate and install the remote driver near the first fixture if installing multiple fixtures. Connect the quick connect cable from the first fixture to the Driver Box. (1) Driver Box can power 8-10ft of fixture depending on fixture specifications. Connect AC power to the driver. Refer to page 2 for wiring diagram.

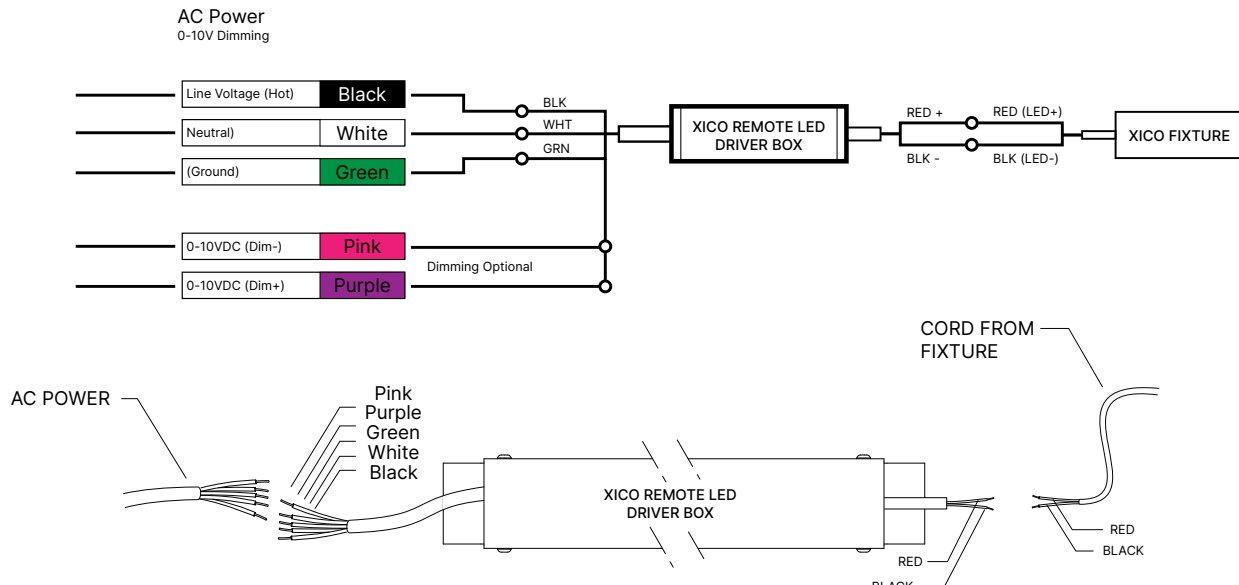


Care Instructions:

Wipe with a soft cloth only. Always avoid using harsh chemicals and/or cleaners.

Wiring Diagram

XICO Driver Box



XICO Driver

