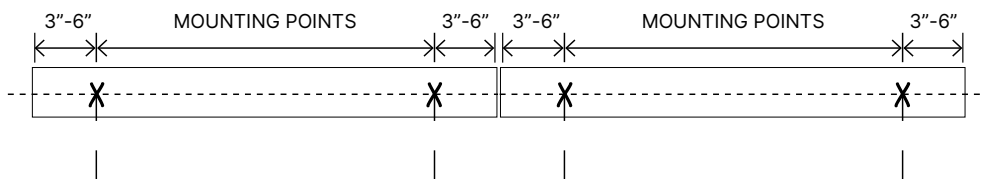


## Surface Mount

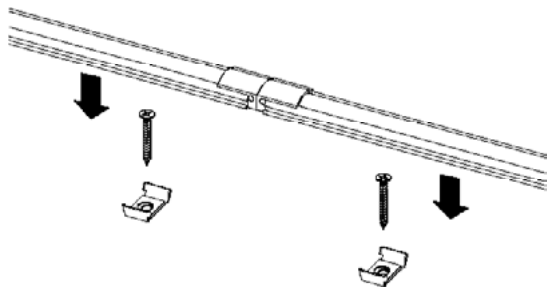
### What to Know

Risk of fire and electrical shock. Installation requires knowledge of electrical systems and should be installed by a qualified electrician. If not qualified, **DO NOT ATTEMPT INSTALLATION.**

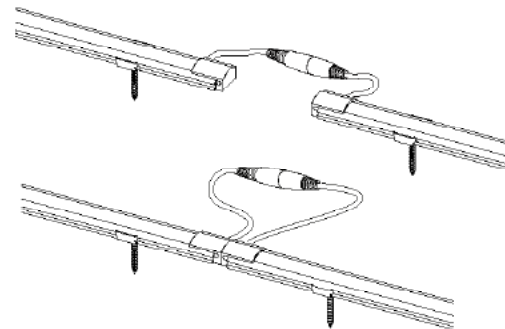
- 1 Mark a line on the installation surface matching the installation location of the fixture.



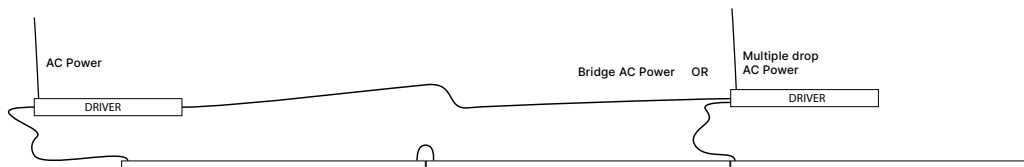
- 2 Secure the Mounting Clip to the installation surface with appropriate hardware. Engage the housing into the Mounting Clips at the desired spacing.



- 3 Join fixtures with quick connects.



- 4 Locate and install the remote driver near the first fixture if installing multiple fixtures. Connect the quick connect cable from the first fixture to the Driver Box. (1) Driver Box can power 8-10ft of fixture depending on fixture specifications. Connect AC power to the driver. Refer to page 2 for wiring diagram.

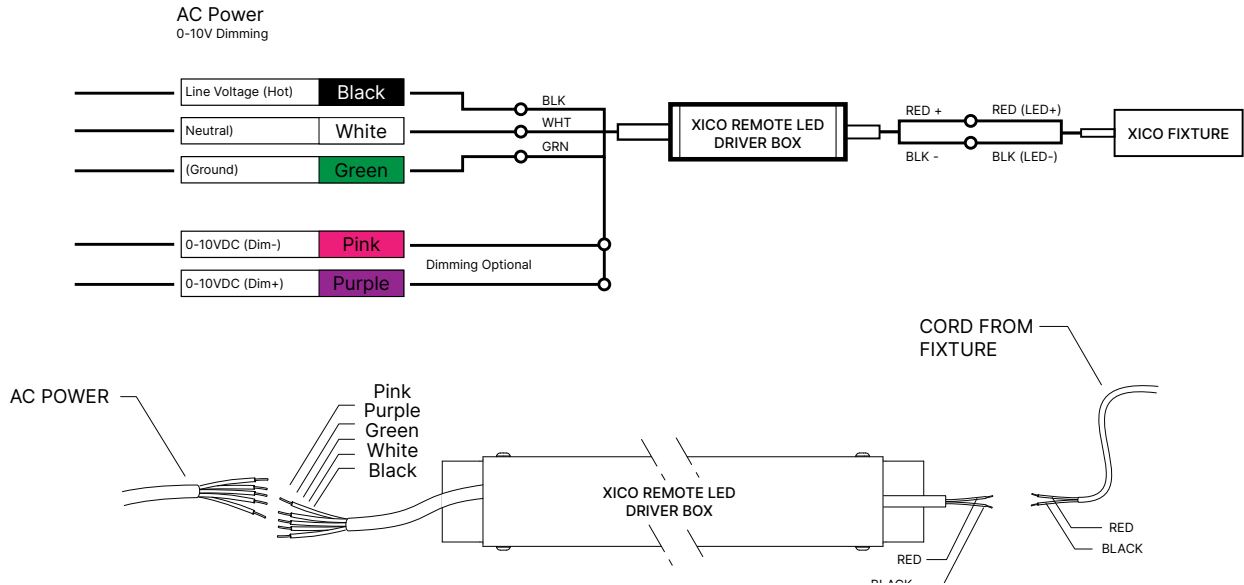


### Care Instructions:

Wipe with a soft cloth only. Always avoid using harsh chemicals and/or cleaners.

## Wiring Diagram

### XICO Driver Box



### XICO Driver

