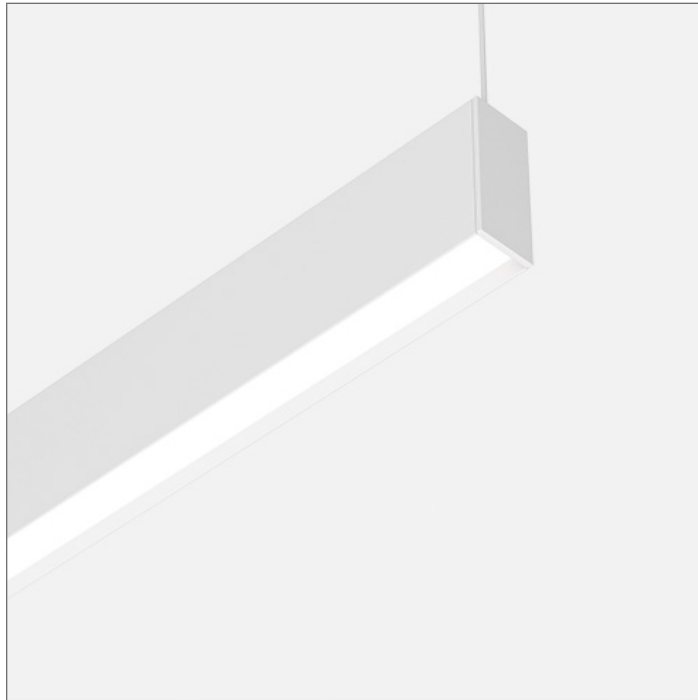


# MICROBeam Pendant

High Performance, Sub 1.5" Form Factor






Integral Driver



## MICROBeam Pendant

MICROBeam Pendant Series

### Warnings

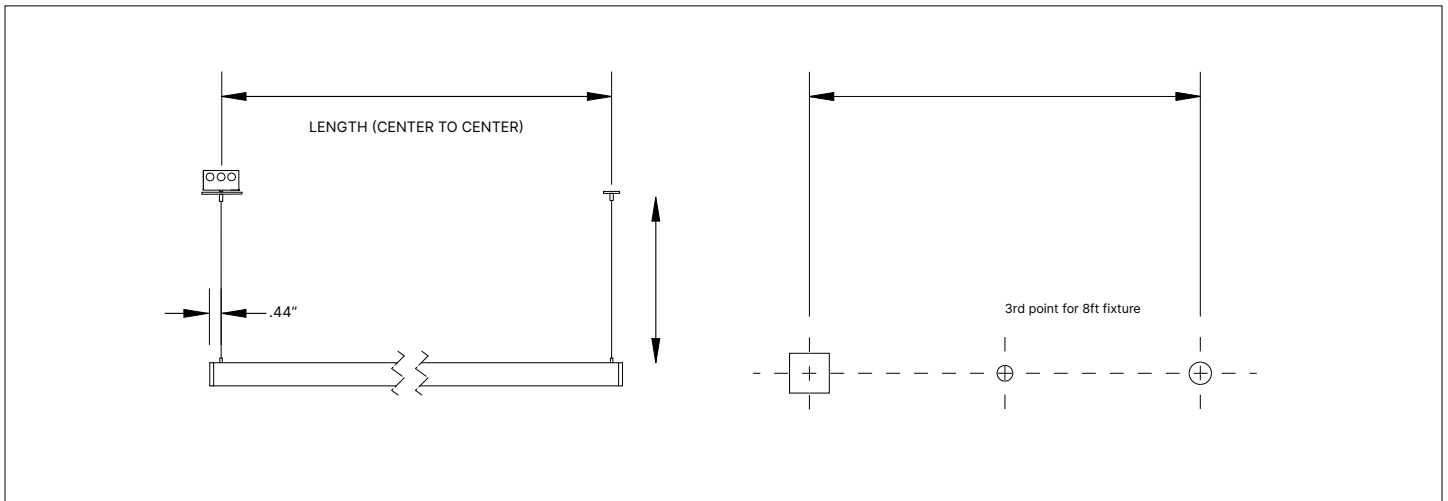
-  Risk of fire and electrical shock
-  Turn off power at breaker
-  Installation requires knowledge of electrical systems and should be installed by a qualified electrician. If not qualified, **DO NOT ATTEMPT INSTALLATION.**

### Care Instructions

-  Wipe with a soft cloth only
-  Always avoid using harsh chemicals and/or cleaners

## STEP 1 — Placement

Mark hole locations on the installation surface matching locations of the mounting hardware. Adjust cables to desired length and cut if needed.



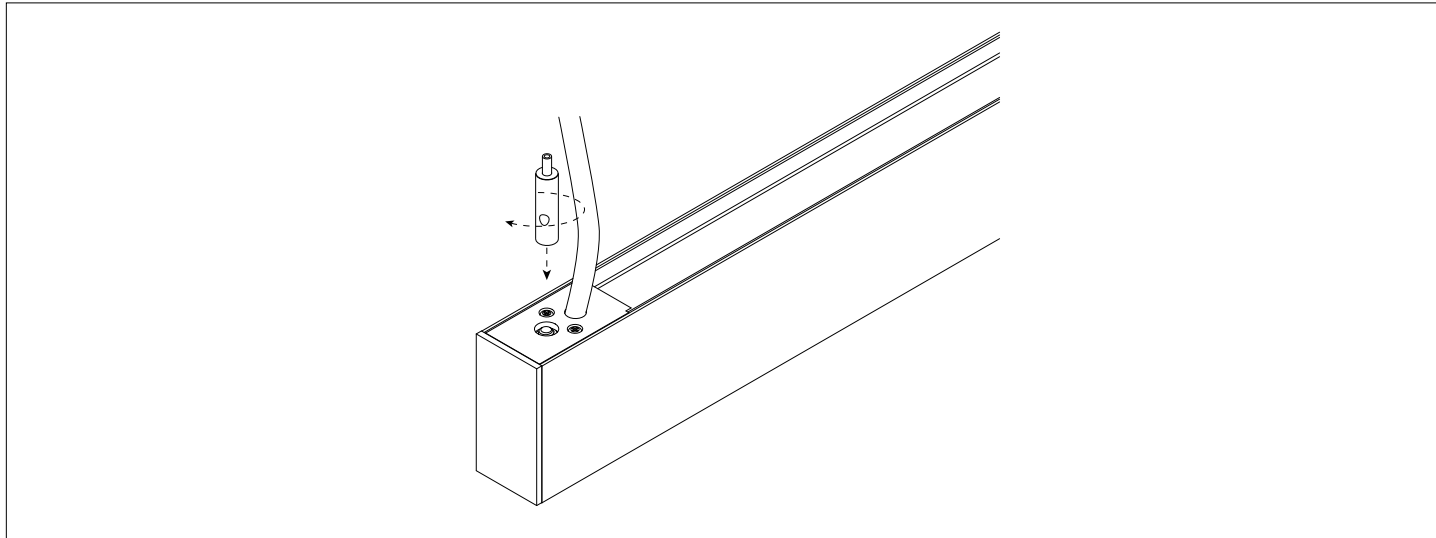
Designed & Built in  
**BOSTON**

**Declare**



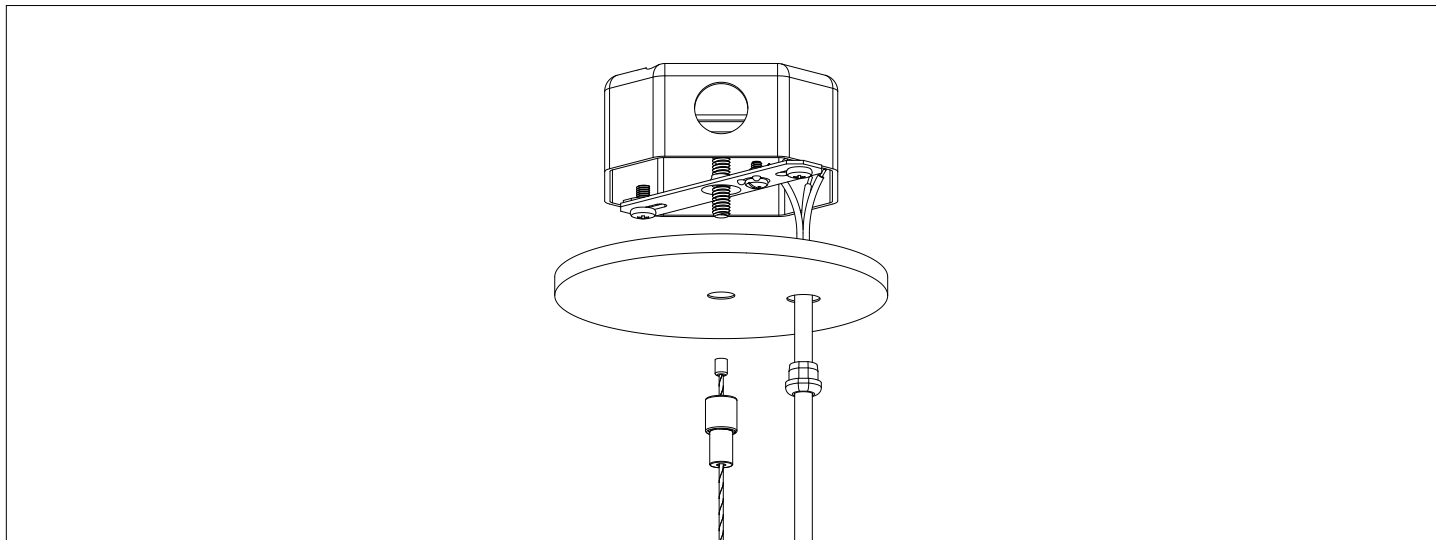
**STEP 2 — Hang Hardware Connection**

Fasten the Aircraft Grippers to the fixture.



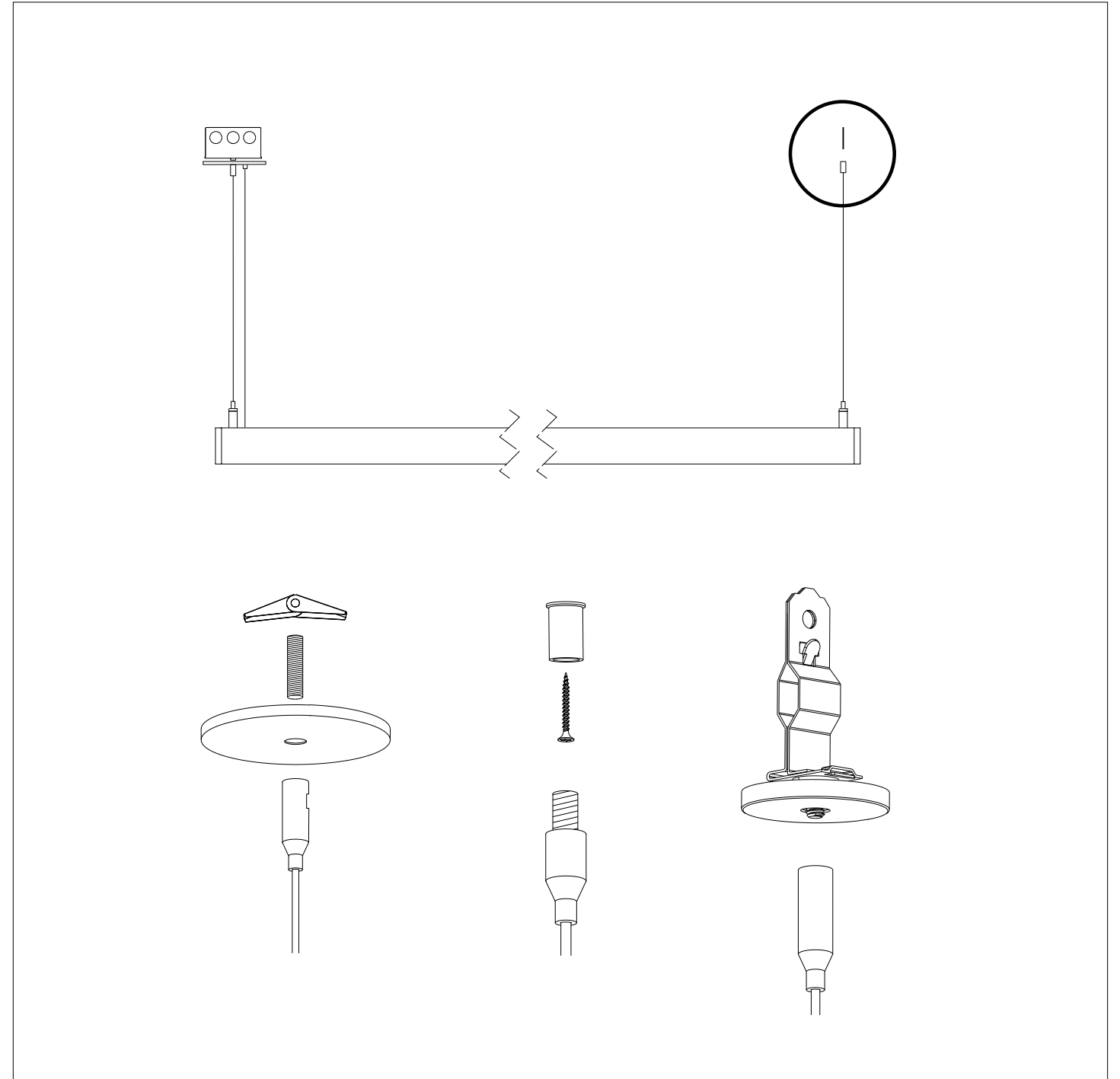
**STEP 3 — Junction Box Connection**

Attach the Aircraft cable to the Grippers. Feed the AC and Aircraft cables through the canopy and connect to the Junction box. Refer to the wiring diagram.



**STEP 4 — Spacing**

Fasten the non-power end of the fixture to the mounting surface using the hardware rated for your application.

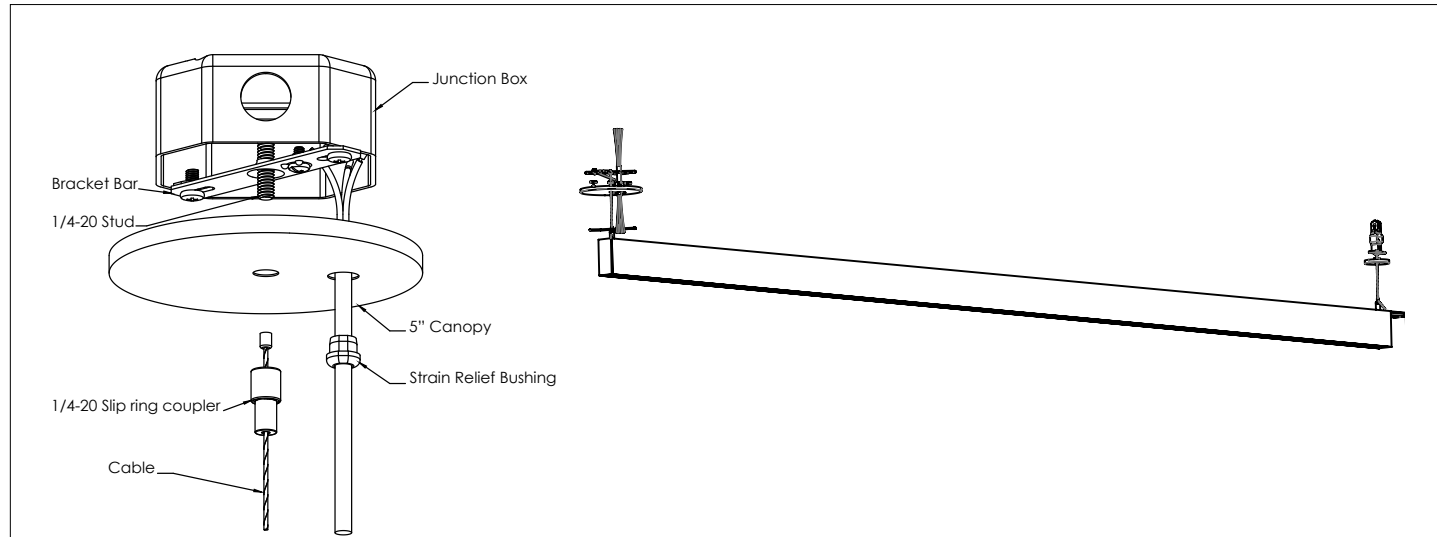


**Care Instructions:**

Wipe with a soft cloth only. Always avoid using harsh chemicals and/or cleaners.

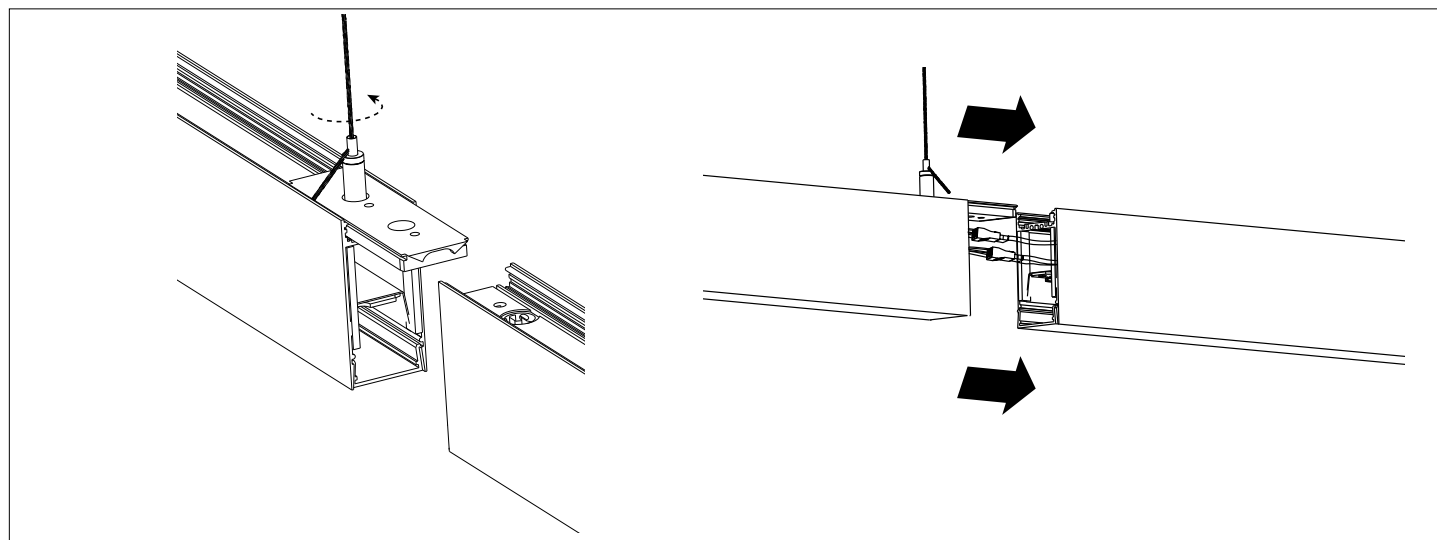
**CONTINUOUS RUN - STEP 1 — Hang Hardware Connection**

Raise powered end fixture (with joiner) to jbox and secure to mounting surface. Do not fully tighten the cable gripper at the joiner (open end).



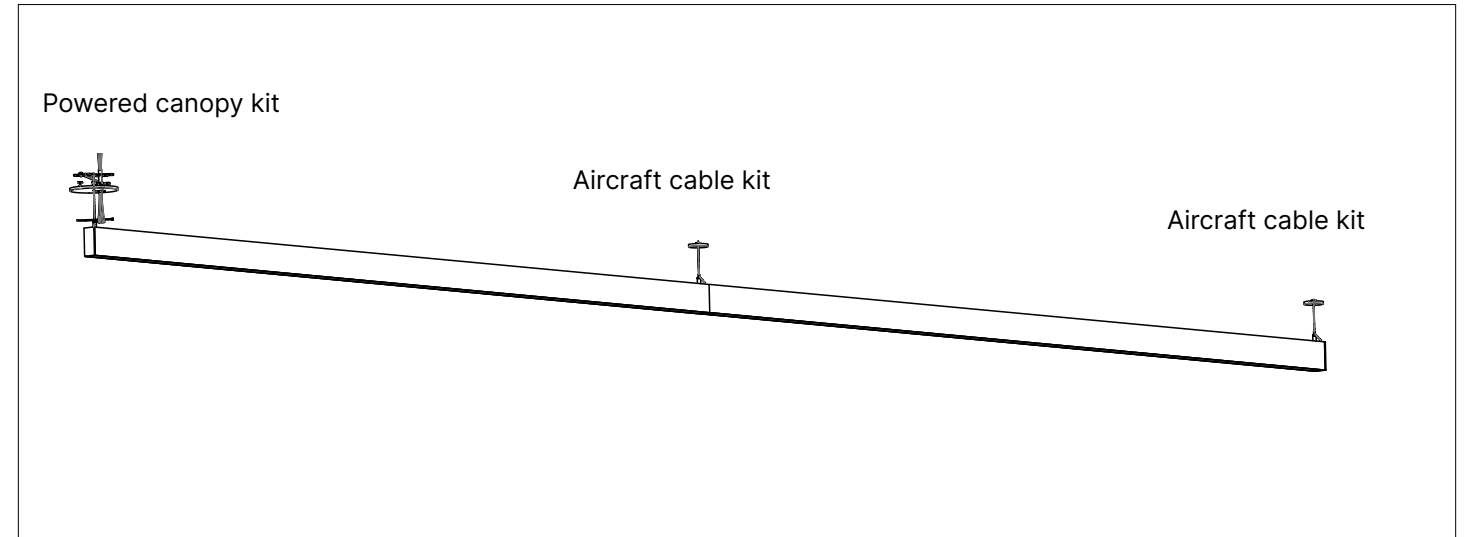
**STEP 2 — Connect Fixtures**

Attach the Aircraft cable to the Grippers. Feed the AC and Aircraft cables through the canopy and connect to the Junction box. Refer to the wiring diagram.



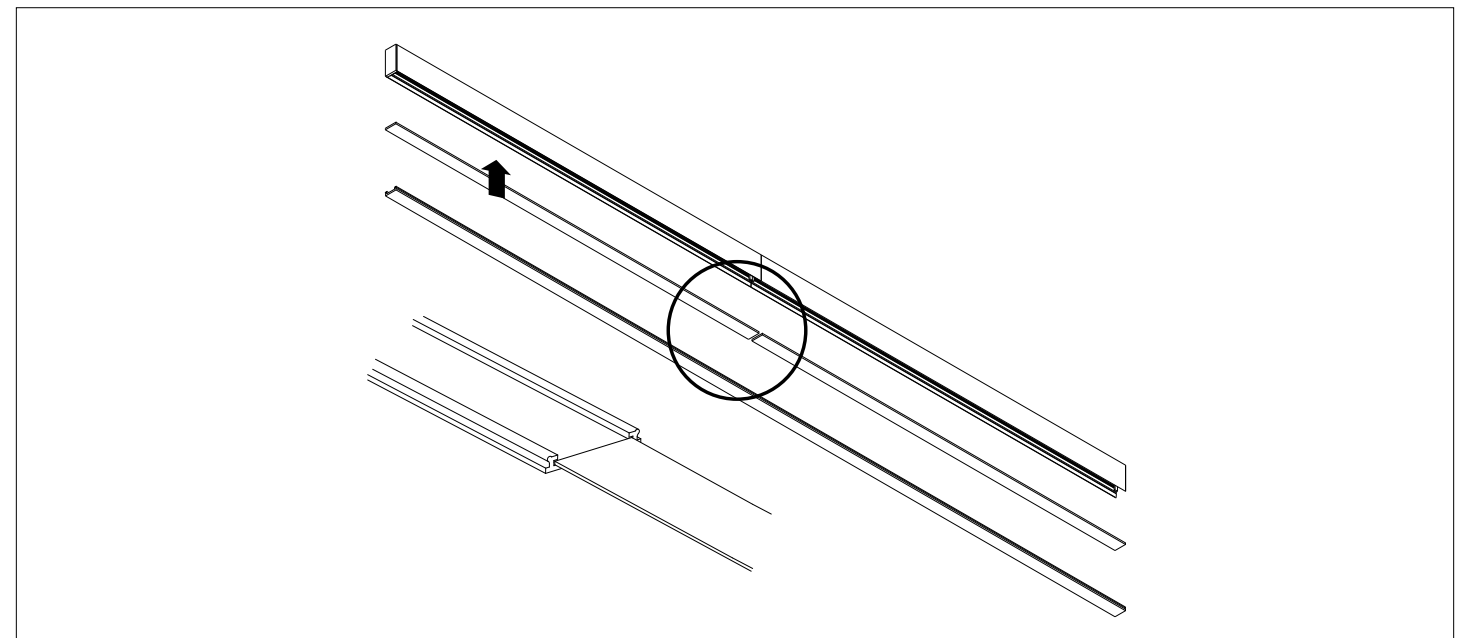
**STEP 4 — Spacing**

Fully assembled fixture



**STEP 5 — Connect Fixtures**

Snap the lens(es) into fixture body.



**Care Instructions:**

Wipe with a soft cloth only. Always avoid using harsh chemicals and/or cleaners.

## Wiring Guide

Wire the Power Feed End to the J-Box.

