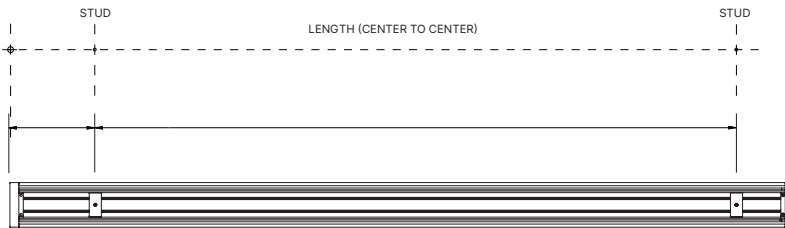


## Surface Mount

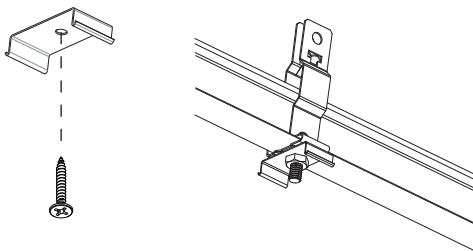
### What to Know

Risk of fire and electrical shock. Installation requires knowledge of electrical systems and should be installed by a qualified electrician. If not qualified, **DO NOT ATTEMPT INSTALLATION.**

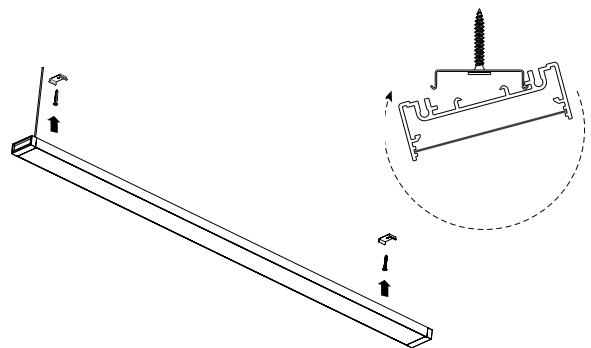
- 1 Mounting clips are adjustable. Locate a secured stud when possible for each bracket. Using a straight edge, mark the locations for each mounting clip.



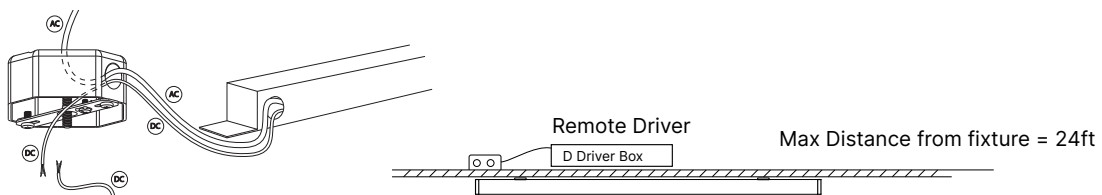
- 2 Secure the mounting clips to the mounting surface with the appropriate hardware.



- 3 Feed the power cable to the remote driver and raise the fixture to the mounting surface, snapping it into the Mounting Clips. Push up to fully engage the clips.



- 4 Connect the DC wires from the fixture to the Remote Driver. Connect the AC power to the Driver Box. Refer to the wiring diagram.

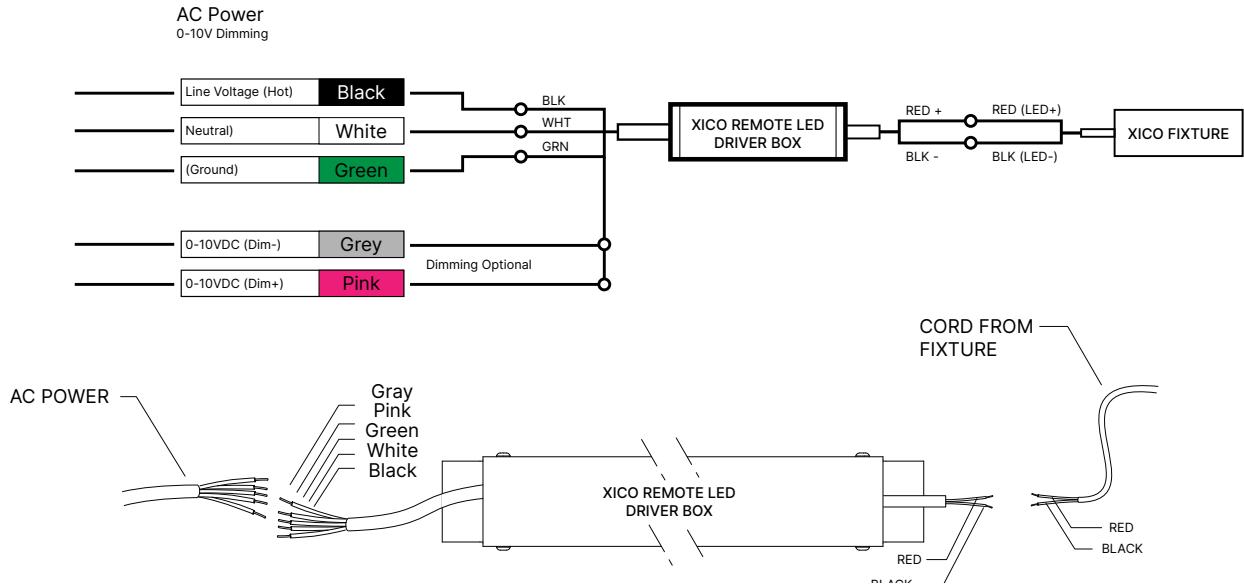


### Care Instructions:

Wipe with a soft cloth only. Always avoid using harsh chemicals and/or cleaners.

## Wiring Diagram

### XICO Driver Box



### XICO Driver

